

The print-out is not subject to the modification service.

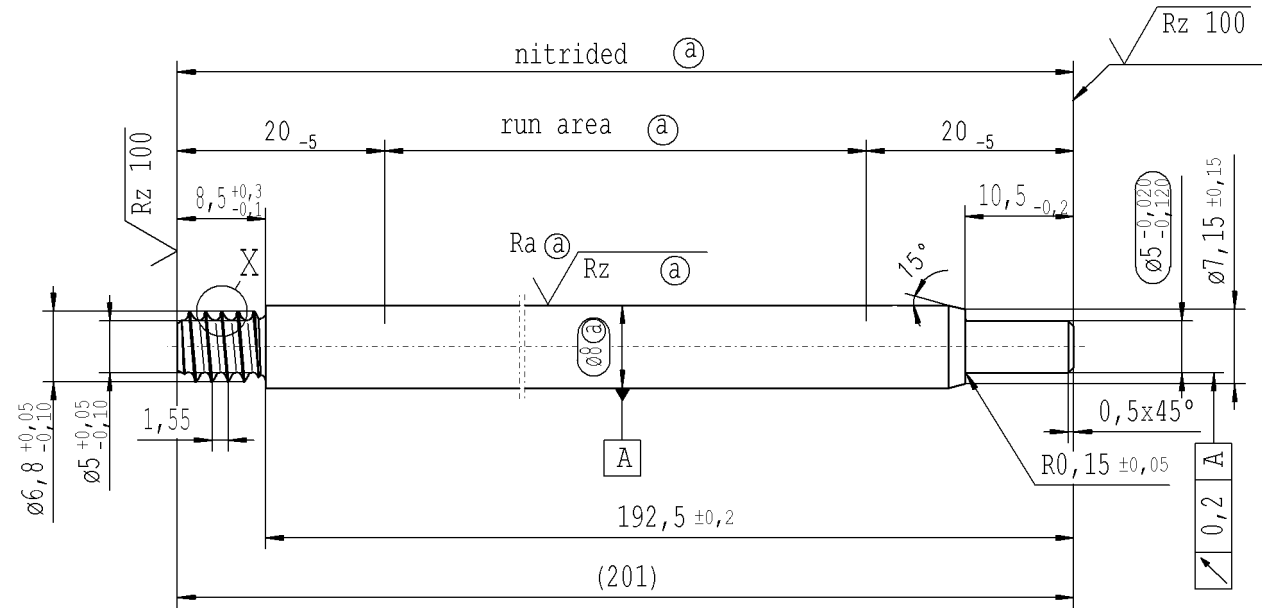
Intended for internal and supplier use

EN

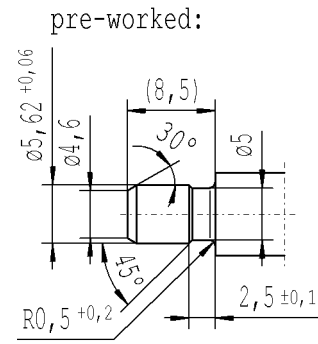
B

A

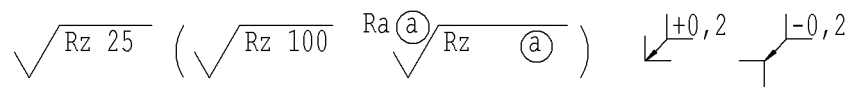
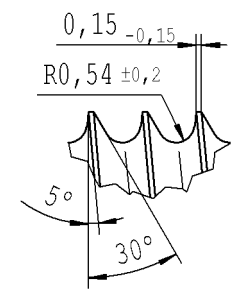
① piston rod processing per STAB-Spec. 10028959, table 1



RELEASE  
for supplier  
company Zhang Shi



X 5:1



Environmental protection acc. to STAB-Spec. 10005649

Ident. Doc.:

DE: X	EN: X	ES:	IT:	PR:	FR:	RO:	CAD created document; handwritten changes not permitted	Material: 1.1193 S45C JISG 4051	All dimensions are in mm	Identification of important characteristics	Drawn by 03.03.2008 K.Marx	Date	Name
new	INITIAL RELEASE			run area				S45C JISG 4051	Scale: (Original DIN A3) 2:1	Dimensions without tolerances DIN ISO 2768 mK	Checked 28.07.2010 Klinkner	03.03.2008	K.Marx
old	-			hardness				Edge tolerances acc. to DIN ISO 13715					
Field	-			F/4,5				Surface finish DIN ISO 1302					
Date/Name	03.03.2008 K.Marx			28.07.2010 Geisbüsch				Replaces:	We reserve all rights to this document, to any patents or patent registrations related hereto, and to the duplication, retransmission by third parties and misc. use. Any use of this document is not permitted without the written consent of STABILUS.				
Chg. No.	-			581802								Document No.: 10151065	
Rev.	0			1				<b>STABILUS</b>		PISTON ROD		Material No.: 005561	