

The print-out is not subject to the modification service.

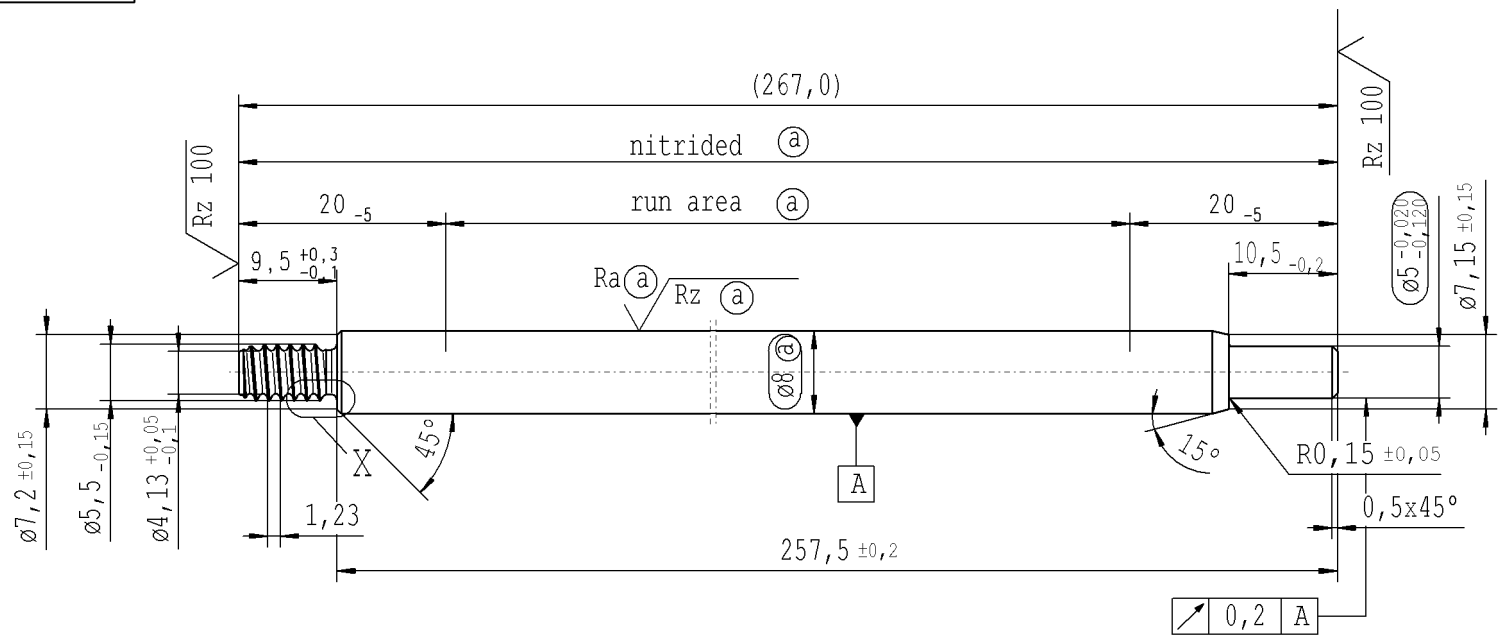
Intended for internal and supplier use

EN

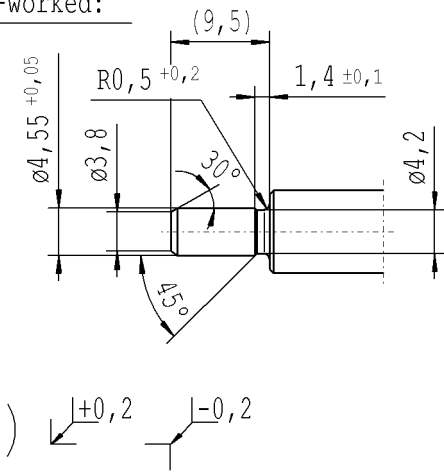
B

Ident. Doc.:

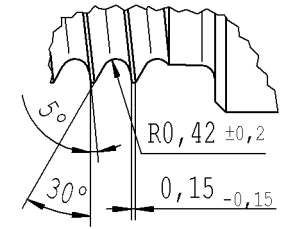
Ⓐ piston rod processing per STAB-Spec. 10028959, table 1



pre-worked:



X 5:1



$\sqrt{Rz\ 25}$ ($\sqrt{Rz\ 100}$ $Ra\ \textcircled{a}$ $Rz\ \textcircled{a}$) $\swarrow +0,2$ $\searrow -0,2$

RELEASE
 for supplier
 company Zhang Shi

Environmental protection acc. to STAB-Spec. 10005649

DE: X	EN: X	ES:	IT:	PR:	FR:	RO:	CAD created document; handwritten changes not permitted		Material:	All dimensions are in mm		Identification of important characteristics		Date	Name
new	INITIAL RELEASE	hardness	9,5 ^{+0,2} _{-0,1}	0,15	R0,42±0,2	run area		1.1193						13.12.2007	Höfer
old	-	-	9,5±0,1	0,38	R1,26	hardness		S45C JISG 4051		Scale:	Dimensions without tolerances		Checked	23.07.2010	B.Klinkner
Field	-	E2-6		B/C2-3	E 4/5			Edge tolerances acc. to DIN ISO 13715		(Original DIN A3)	2:1	DIN ISO 2768-mK			
Date/Name	13.12.2007 Höfer	10.01.2008 Höfer	23.7.10 Keßelh.					Surface finish	DIN EN ISO 1302	We reserve all rights to this document, to any patents or patent registrations related hereto, and to the duplication, retransmission by third parties and misc. use. Any use of this document is not permitted without the written consent of STABILUS.					
Chg. No.	-	562504	581803					Replaces:		Document No.:					
Rev.	0	1	2					STABILUS	PISTON ROD						
										Material No.:					
										10151066					
										005515					