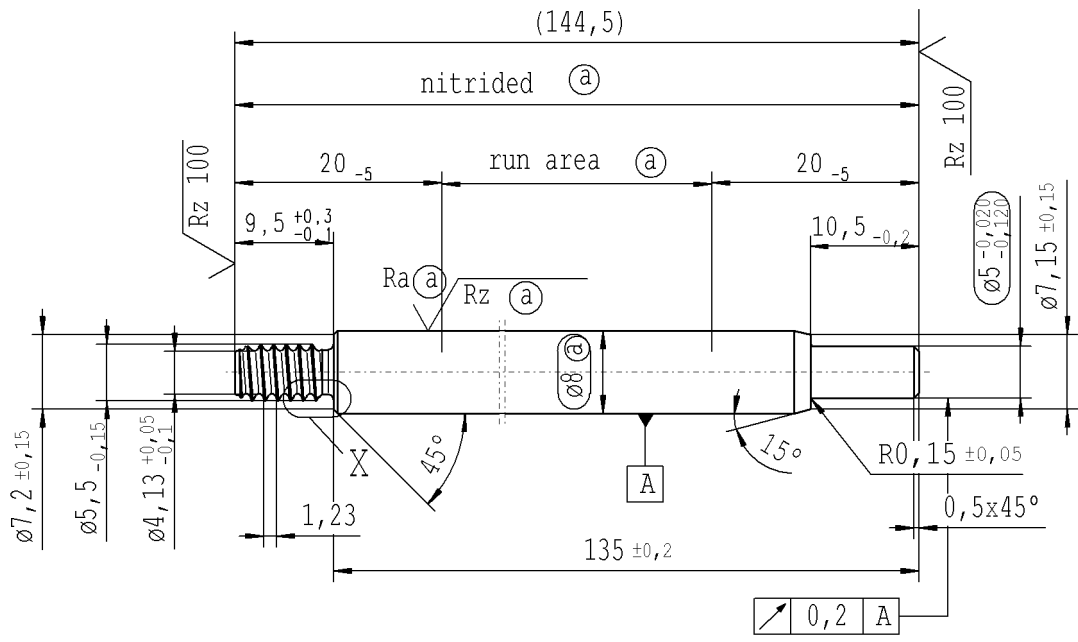


The print-out is not subject to the modification service.

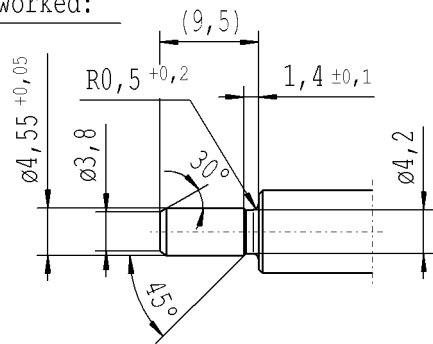
Intended for internal and supplier use

EN

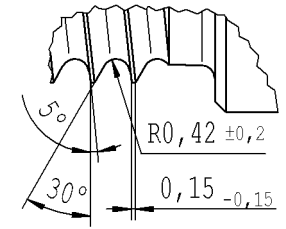
Ⓐ piston rod processing per STAB-Spec. 10028959, table 1



pre-worked:



X 5:1



$\sqrt{Rz\ 25}$ ($\sqrt{Rz\ 100}$ $Ra\ \text{Ⓐ}$ $Rz\ \text{Ⓐ}$) $\swarrow +0,2$ $\searrow -0,2$

RELEASE
 for supplier
 company Zhang Shi

Environmental protection acc. to STAB-Spec. 10005649

Ident. Doc.:

| | | | | | | | | | | | | | | | | |
|-----------|------------------|------------------|-------------------------------------|--------|-----------|----------|---|---------------------------------------|-----------------|--|-------------------------------|---|---------|------------|------------|------|
| DE: X | EN: X | ES: | IT: | PR: | FR: | RO: | CAD created document; handwritten changes not permitted | | Material: | All dimensions are in mm | | Identification of important characteristics | | Drawn by | Date | Name |
| new | INITIAL RELEASE | hardness | 9,5 ^{+0,3} _{-0,1} | 0,15 | R0,42±0,2 | run area | | 1.1193 | | | | | | 13.12.2007 | Höfer | |
| old | - | - | 9,5±0,1 | 0,38 | R1,26 | hardness | | S45C JISG 4051 | | Scale: | Dimensions without tolerances | | Checked | 23.07.2010 | B.Klinkner | |
| Field | - | E2-6 | | B/C2-3 | E 4/5 | | | Edge tolerances acc. to DIN ISO 13715 | | (Original DIN A3) | DIN ISO 2768-mK | | | | | |
| Date/Name | 13.12.2007 Höfer | 28.02.2008 Donat | 23.7.10 Keßelh. | | | | | Surface finish | DIN EN ISO 1302 | We reserve all rights to this document, to any patents or patent registrations related hereto, and to the duplication, retransmission by third parties and misc. use. Any use of this document is not permitted without the written consent of STABILUS. | | | | | | |
| Chg. No. | - | 564069 | 581803 | | | | | Replaces: | | Document No.: | | | | | | |
| Rev. | 0 | 1 | 2 | | | | | | | 10151066 | | | | | | |
| | | | | | | | | | | Material No.: | | | | | | |
| | | | | | | | | | | 005639 | | | | | | |
| | | | | | | | | | | STABILUS PISTON ROD | | | | | | |