

The print-out is not subject to the modification service.

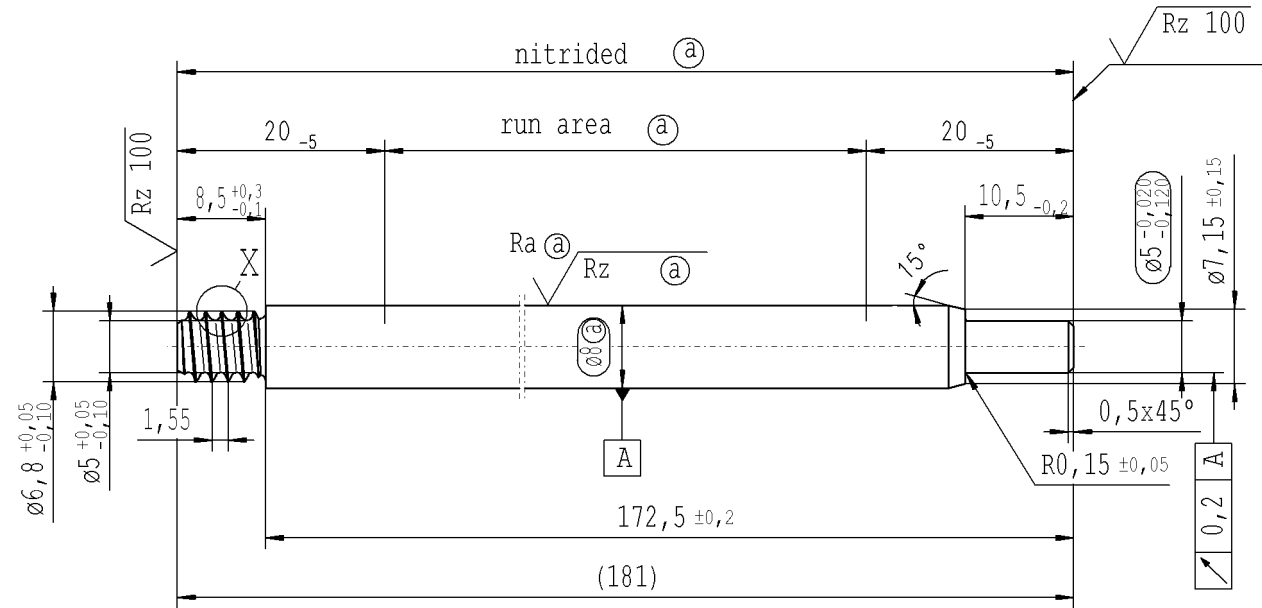
Intended for internal and supplier use

EN

B

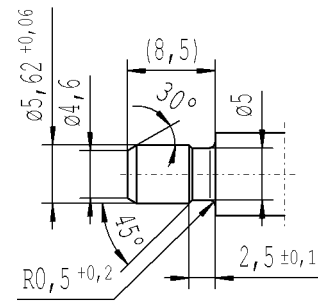
A

Ⓐ piston rod processing per STAB-Spec. 10028959, table 1

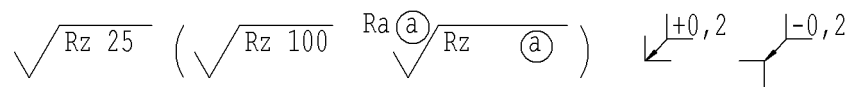
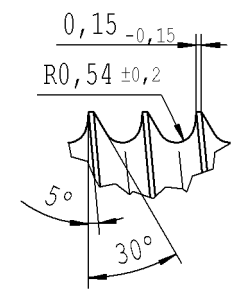


RELEASE
for supplier
company Zhang Shi

pre-worked:



X 5:1



Environmental protection acc. to STAB-Spec. 10005649

Ident. Doc.:

DE: X	EN: X	ES:	IT:	PR:	FR:	RO:	CAD created document; handwritten changes not permitted	Material: 1.1193 S45C JISG 4051	All dimensions are in mm	Identification of important characteristics	Drawn by 11.05.2009 Hein	Date 11.05.2009	Name Hein
new	INITIAL RELEASE		run area					Edge tolerances acc. to DIN ISO 13715	Scale: (Original DIN A3) 2:1	Dimensions without tolerances DIN ISO 2768-mK	Checked 02.08.2010 Klinkner		
old	-		hardness					Surface finish DIN EN ISO 1302	We reserve all rights to this document, to any patents or patent registrations related hereto, and to the duplication, retransmission by third parties and misc. use. Any use of this document is not permitted without the written consent of STABILUS.				
Field	-		F/4,5					Replaces:	Document No.: 10151065				
Date/Name	11.05.2009 Hein		02.08.2010, Bo.						Material No.: 032886				
Chg. No.	-		581802										
Rev.	0		1					STABILUS	PISTON ROD				