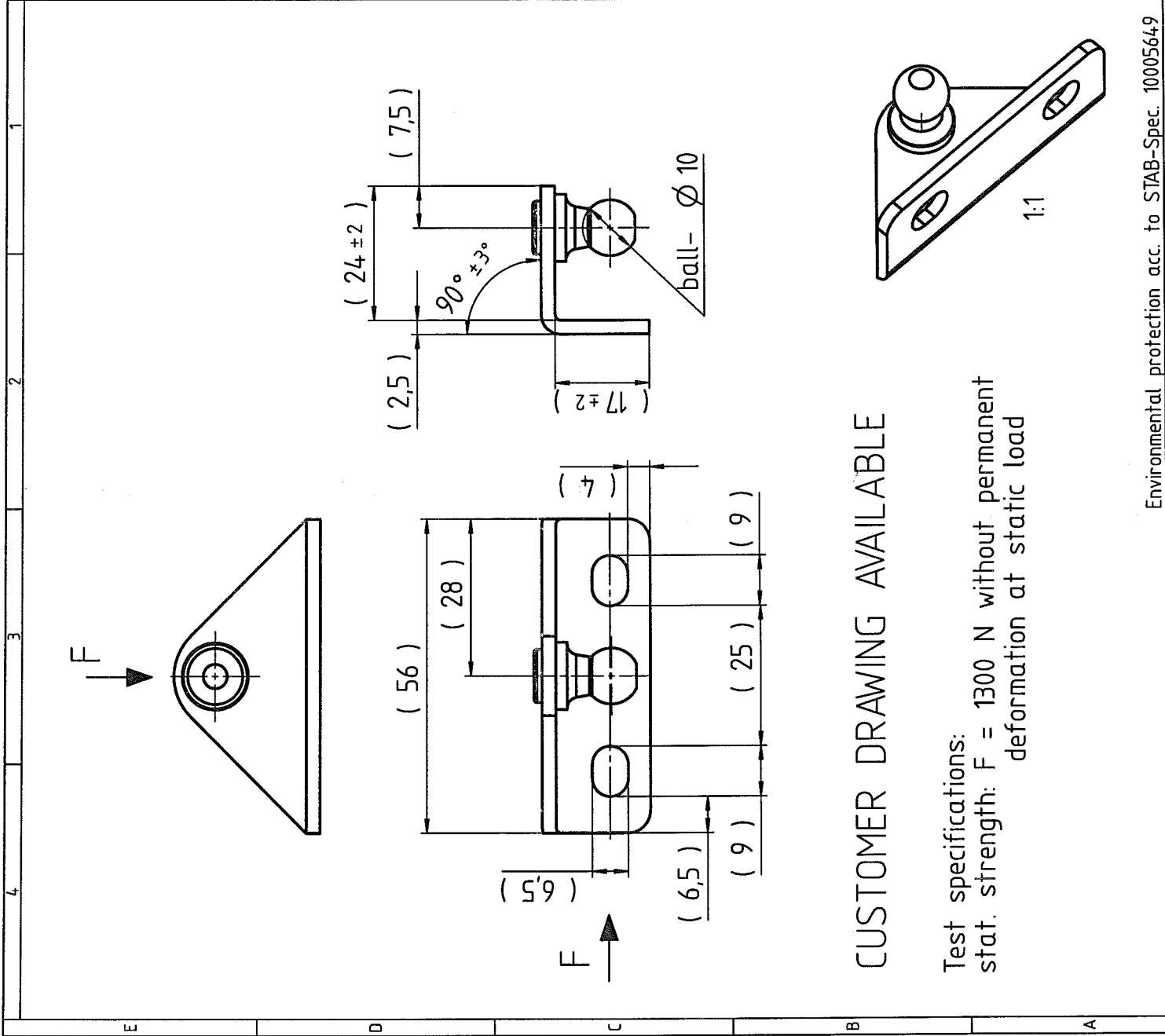


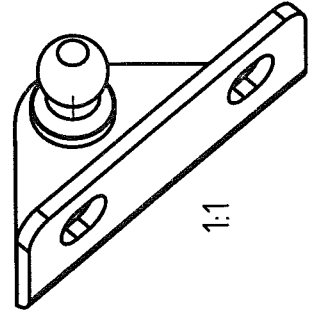


The print-out is not subject to the modification service



CUSTOMER DRAWING AVAILABLE

Test specifications:  
 stat. strength: F = 1300 N without permanent deformation at static load



DE: X	EN: X	ES: IT:	PT:	FR:	Environmental protection acc. to STAB-Spec. 10005649	
new	17±2 / 90°±3° / 24±2					
old	17 / 90° / 24					
Field	-					
Date/Name	09.11.2005 Donat					
Change No	546681					
Revision	3					
Material:						
%						
Edge tolerances acc. to	DIN ISO 13715					
Surface finish	DIN EN ISO 1302					
Replaces:						
change-No.	541280					
All dimensions are in mm						
Scale:	(Original DIN A4) 1:1					
Identification of important characteristics						
Dimensions without tolerances						
DIN ISO 2768-mK						
Document No.:	10018665					
Material No.:	9699QU					
Drawn by	09.11.2005 Donat, An.					
Checked	09.11.2005 Mueller, Thom.					
Date						
Name						

**STABILUS** BRACKET ASSY