

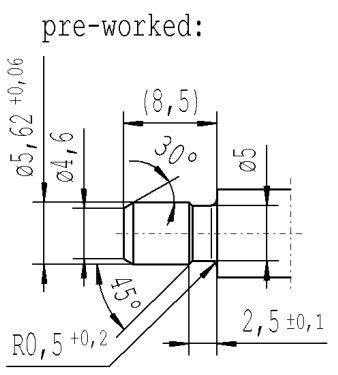
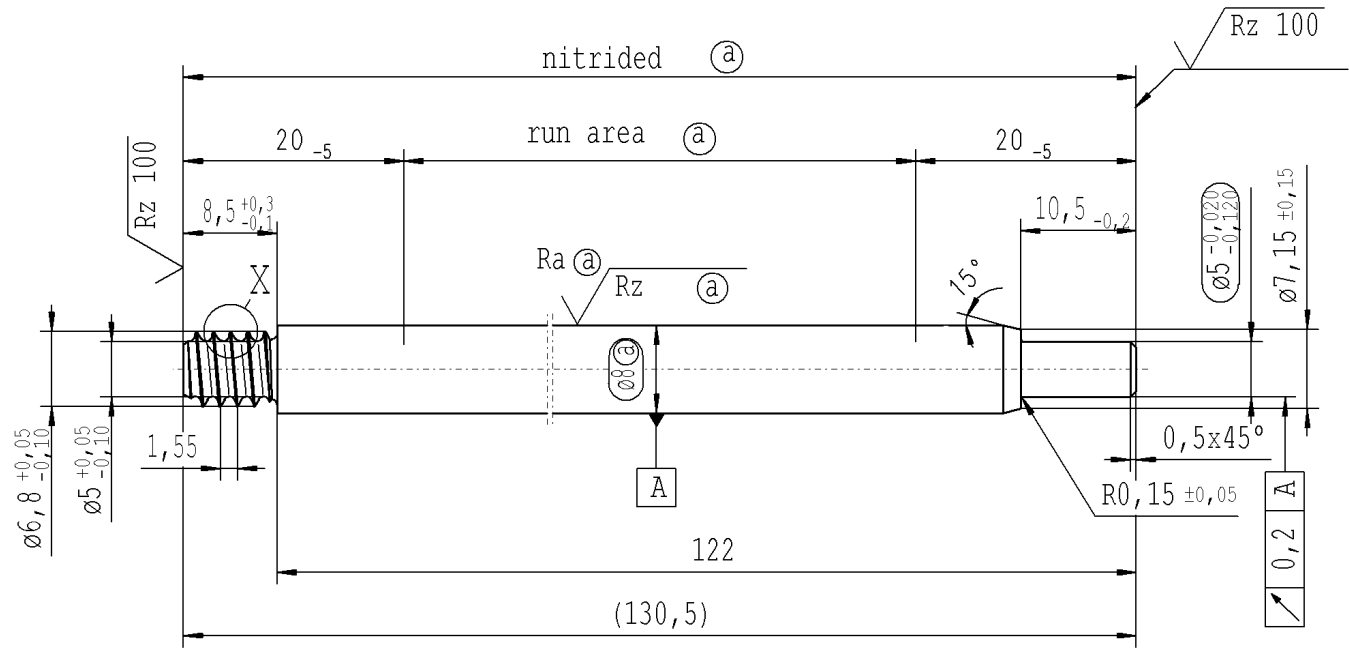
The print-out is not subject to the modification service.

Intended for internal and supplier use

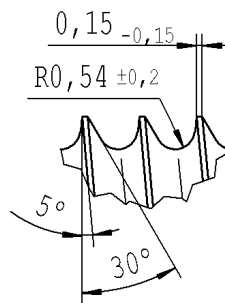
EN

RELEASE
 for supplier
 company Zhang Shi

Ⓐ piston rod processing per STAB-Spec. 10028959, table 1



X 5:1



$\sqrt{Rz\ 25}$ ($\sqrt{Rz\ 100}$ $Ra\ \textcircled{A}$ $Rz\ \textcircled{A}$) $\swarrow +0,2$ $\searrow -0,2$

Environmental protection acc. to STAB-Spec. 10005649

DE: X	EN: X	ES:	IT:	PR:	FR:	RO:	CAD created document; handwritten changes not permitted	Material: 1.1193 S45C JISG 4051	All dimensions are in mm	Identification of important characteristics	Date	Name
new	INITIAL RELEASE							Edge tolerances acc. to DIN ISO 13715	Scale: (Original DIN A3) 2:1	Dimensions without tolerances DIN ISO 2768-mK	Drawn by	Hein
old	-							Surface finish DIN EN ISO 1302			Checked	Klinkner
Field	-							Replaces:	We reserve all rights to this document, to any patents or patent registrations related hereto, and to the duplication, retransmission by third parties and misc. use. Any use of this document is not permitted without the written consent of STABILUS.			Document No.:
Date/Name	11.11.2010 Hein											10151065
Chg. No.	584111											Material No.:
Rev.	0							STABILUS	PISTON ROD			332214

Ident. Doc.: