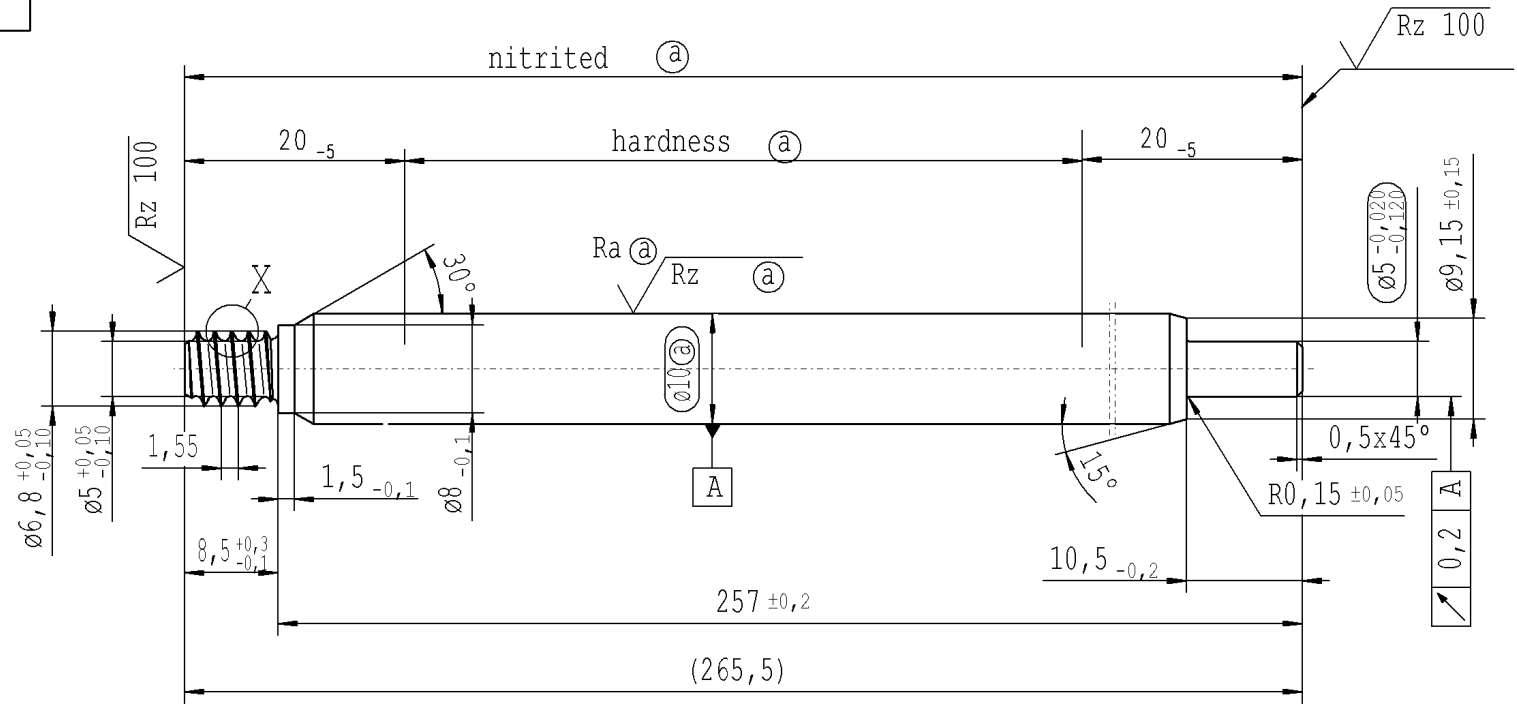


The print-out is not subject to the modification service.

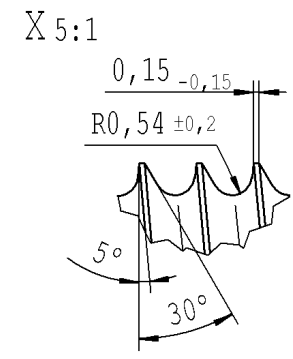
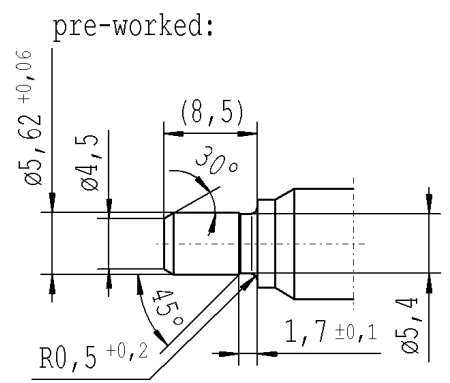
Intended for internal and supplier use

EN

① piston rod processing per STAB-Spec. 10028959, table 1



RELEASE
for supplier
company Zhang Shi



$\sqrt{Rz\ 25}$ ($\sqrt{Rz\ 100}$ Ra ① Rz ①) $\swarrow +0,2$ $\searrow -0,2$

Environmental protection acc. to STAB-Spec. 10005649

DE: X	EN: X	ES:	IT:	PR:	FR:	RO:	CAD created document; handwritten changes not permitted	Material: 1.1193 S45C JISG 4051	All dimensions are in mm	Identification of important characteristics	Date	Name			
new	INITIAL RELEASE							Edge tolerances acc. to DIN ISO 13715	Scale: (Original DIN A3) 2:1	Dimensions without tolerances DIN ISO 2768 mK	Drawn by	Höfer			
old	-							Surface finish DIN ISO 1302			Checked	16.01.2008 Klinkner			
Field	-							Replaces:							
Date/Name	18.12.2007 Höfer														
Chg. No.	-														
Rev.	0														
STABILUS								PISTON ROD				Document No.: 10151520		Material No.: 005954	