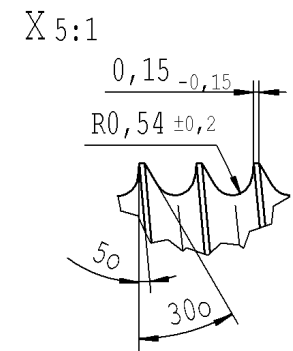
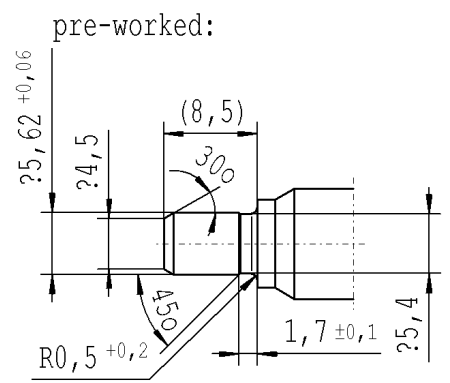
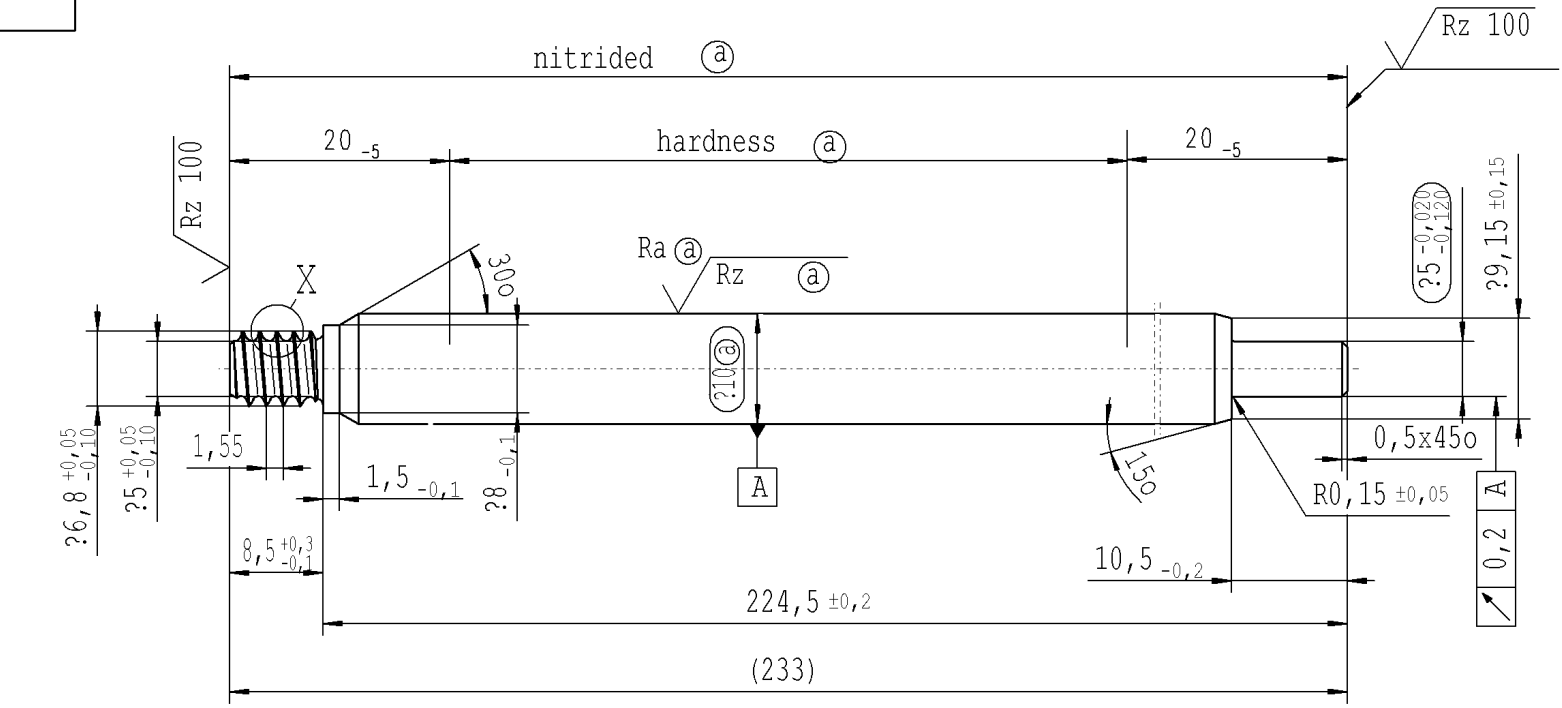


The print-out is not subject to the modification service.

Intended for internal and supplier use

EN

RELEASE
for supplier
company Zhang Shi



$\sqrt{Rz\ 25}$ ($\sqrt{Rz\ 100}$ $Ra\ (a)$ $Rz\ (a)$) $\swarrow +0,2$ $\searrow -0,2$

Environmental protection acc. to STAB-Spec. 10005649

DE: X	EN: X	ES:	IT:	PR:	FR:	RO:	CAD created document; handwritten changes not permitted	Material: 1.1193 S45C JISG 4051	All dimensions are in mm	Identification of important characteristics	Date	Name
new	INITIAL RELEASE		english text: nitrided					Edge tolerances acc. to DIN ISO 13715	Scale: (Original DIN A3) 2:1	Dimensions without tolerances DIN ISO 2768 mK	Drawn by 08.04.2008	K.Marx
old	-		english text: nitrided					Surface finish DIN ISO 1302			Checked 29.05.2008	Klinkner
Field	-		F/4-5					Replaces:			Document No.: 10151520	
Date/Name	08.04.2008 K.Marx		29.05.2008 Hein								Material No.: 008501	
Chg. No.	-		565635					STABILUS	PISTON ROD			
Rev.	0		1									