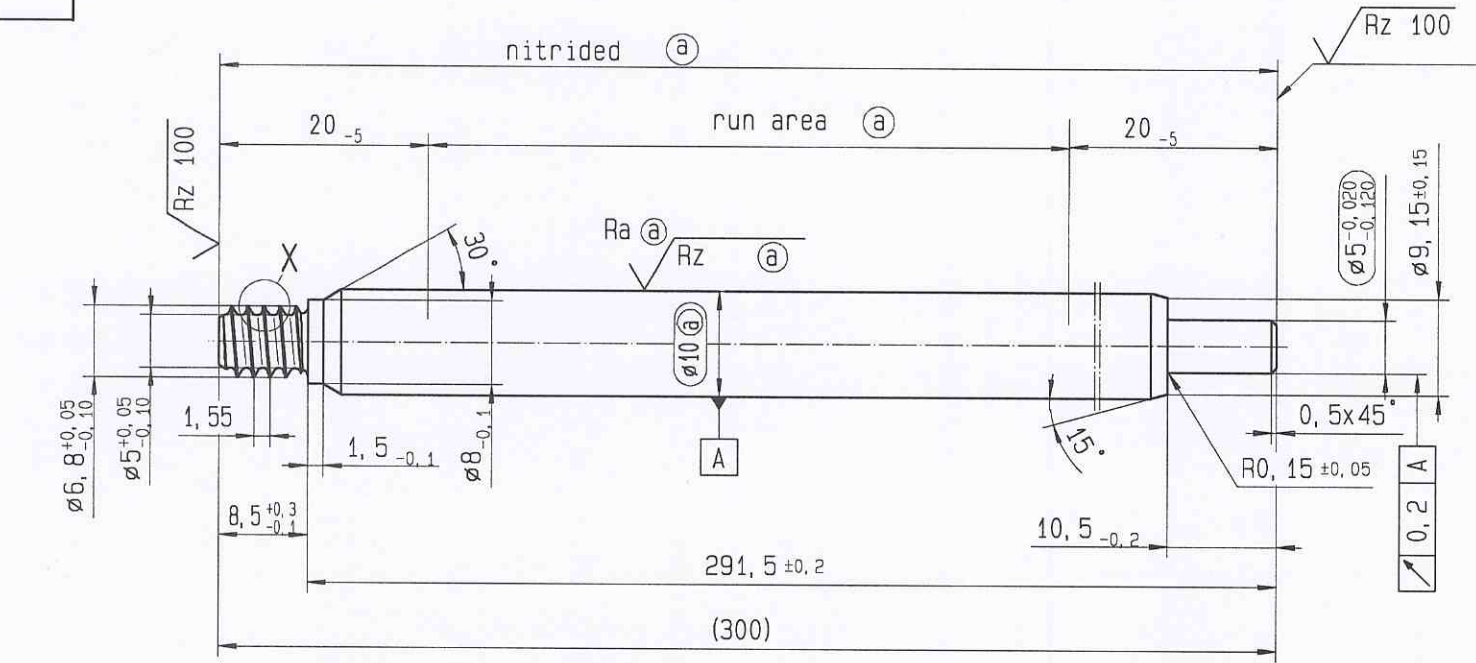


The print-out is not subject to the modification service.

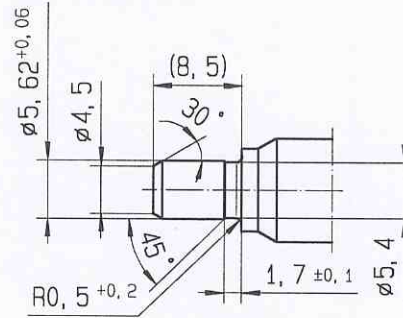
Intended for internal and supplier use

EN

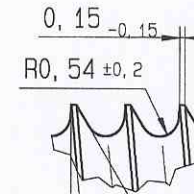
Ⓐ piston rod processing per STAB-Spec. 10028959, table 1



pre-worked:



X 5:1



√ Rz 25 (√ Rz 100 Ra Ⓐ Rz Ⓐ) ↘ +0,2 ↙ -0,2

RELEASE
for supplier
company ZhengShi
22.09.2014 Schütz
(date / signature)

AIAG CQI-standards acc. to STAB-Spec. 10027592

Environmental protection acc. to STAB-Spec. 10005649

DE: X	EN: X	ES:	IT:	PR:	FR:	RO:	CAD created document; handwritten changes not permitted	Material: 1.1193 S45C JISG 4051	All dimensions are in mm	Identification of important characteristics	Drawn by 22.09.2014	Name Kron
new	INITIAL RELEASE							Edge tolerances acc. to DIN ISO 13715	Scale: (Original DIN A3) 2:1	Dimensions without tolerances DIN ISO 2768 mK	Checked by 22.09.2014	
old	-							Surface finish DIN EN ISO 1302	We reserve all rights to this document, to any patents or patent registrations related hereto, and to the duplication, retransmission by third parties and misc. use. Any use of this document is not permitted without the written consent of STABILUS.			Document No.:
Field	-							Replaces:				10151520
Date/Name	22.09.2014 Kron											Material No.:
Chg. No.	617090											913238
Rev.	0							STABILUS	PISTON ROD			