

The print-out is not subject to the modification service.

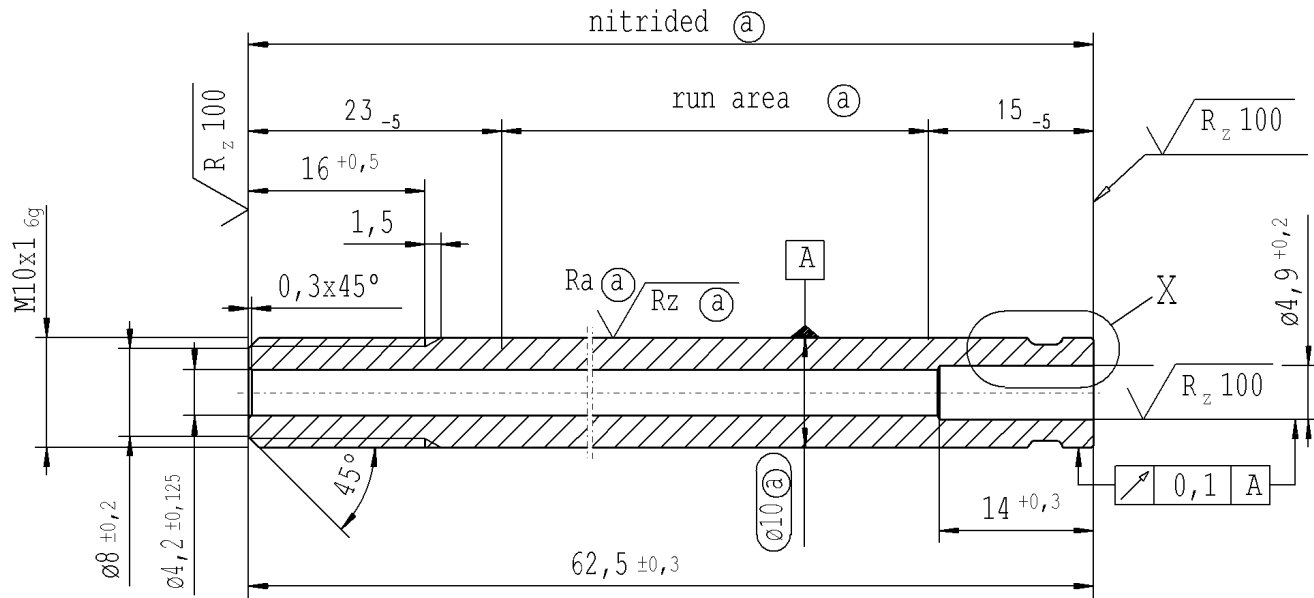
Intended for internal and supplier use

EN

Ident. Doc.: L11

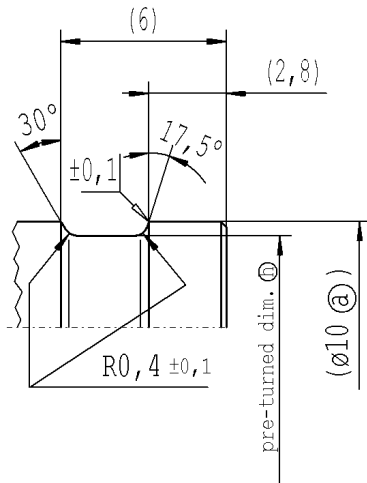
- Ⓐ piston rod processing per STAB-Spec. 10028959 tab.I
- ⓓ knurl-profile manufactured with knurl roll DIN 82 - RAA 0,5

100% cleanliness of through hole

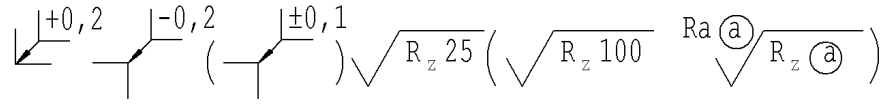
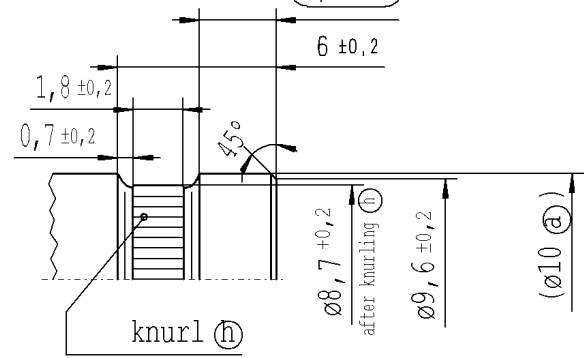


Control dimension!
100 % visual checking

X 5:1
before knurling



X 5:1
after knurling



RELEASE
for supplier
company Zhang Shi

AIAG CQI-standards acc. to STAB-Spec. 10027692

Environmental protection acc. to STAB-Spec. 10005649

DE: X	EN: X	ES:	IT:	PR:	FR:	RO:	CAD created document; handwritten changes not permitted		
new	INITIAL RELEASE	ø4,2±0,125	changed tolerances	run area	marking groove removed				
old	-	ø4,2±0,15	-	hardness	-				
Field	-	D6	E-E/1-6	F 4	-				
Date/Name	12.02.2008 Höfer	27.02.2008 K.Marx	07.01.2009 Hein	23.7.10 KeBelh.	13.06.2014 Hein				
Chg. No.	-	-	570251	581810	614234				
Rev.	0	1	2	3	4				

Material:	1.1193 S45C JISG 4051
Edge tolerances acc. to DIN ISO 13715	
Surface finish	DIN ISO 1302
Replaces:	
STABILUS	

All dimensions are in mm	Identification of important characteristics	Drawn by	Date	Name
Scale: (Original DIN A3) 2:1	Dimensions without tolerances DIN ISO 2768-mK	Checked	12.02.2008	Höfer
We reserve all rights to this document, to any patents or patent registrations related hereto, and to the duplication, retransmission by third parties and misc. use. Any use of this document is not permitted without the written consent of STABILUS.		Document No.:	10152095	
		Material No.:	008879	
		PISTON ROD		

Document No.:	10152095
Material No.:	008879