

The print-out is not subject to the modification service.

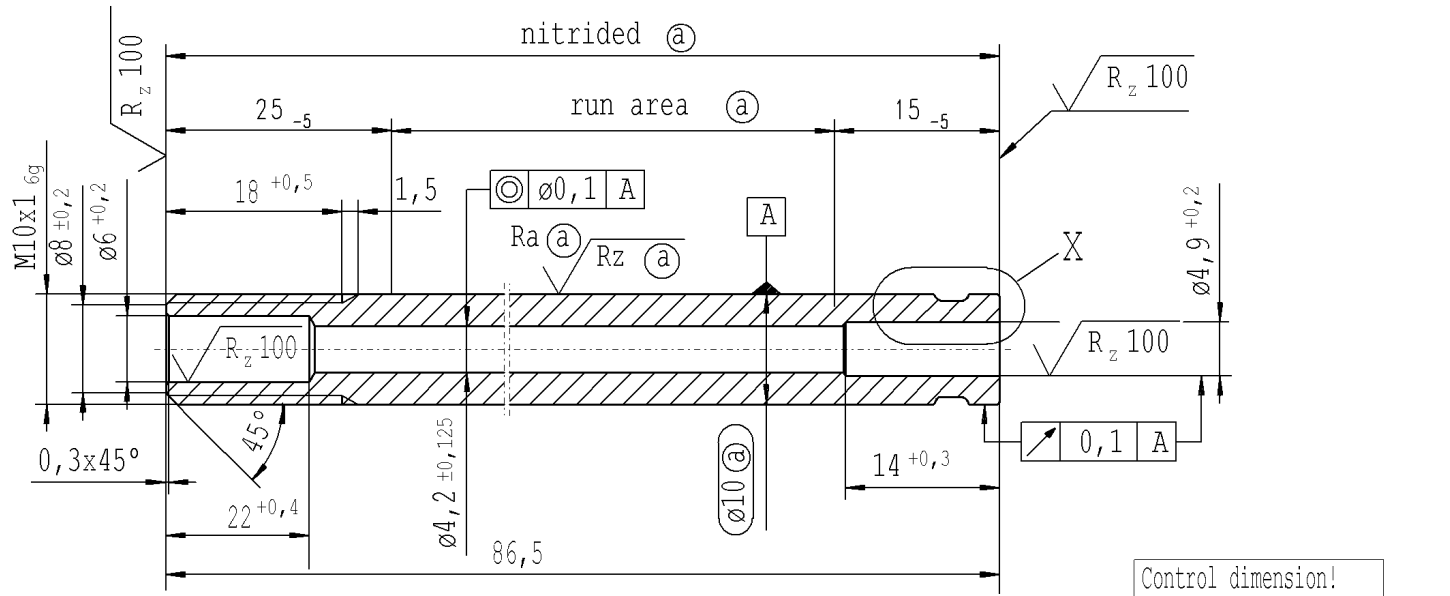
Intended for internal and supplier use

EN

Ident. Doc.: L04

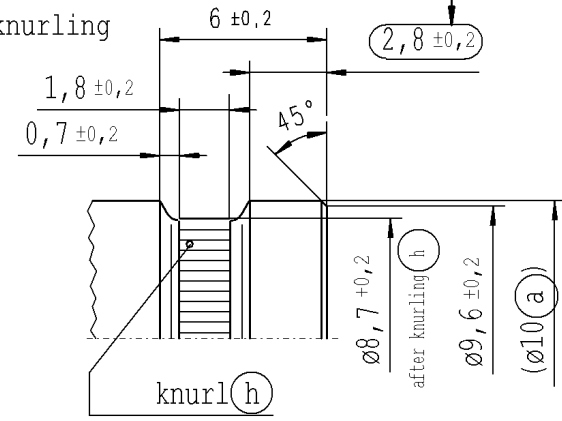
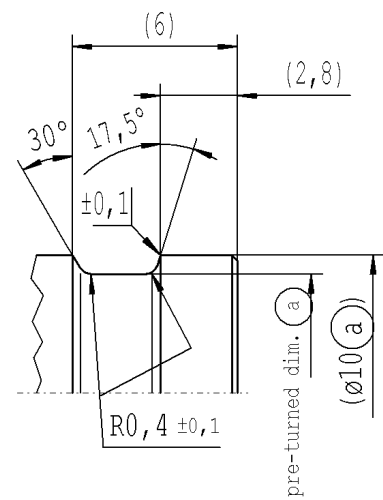
- Ⓐ piston rod processing per STAB-Spec. 10028959 tab.I
- Ⓛ knurl-profile manufactured with knurl roll DIN 82 - RAA 0,5

100% cleanliness of through hole



X 5:1 before knurling

X 5:1 after knurling



RELEASE
for supplier
company Zhang Shi

AIAG CQI-standards acc. to STAB-Spec. 10027692

Environmental protection acc. to STAB-Spec. 10005649

DE: X	EN: X	ES:	IT:	PR:	FR:	RO:	CAD created document; handwritten changes not permitted	
new	INITIAL RELEASE	1.1191 45 GB 8162-99	20,2	changed tolerances	run area	marking groove removed		
old	-	1.1193 S45C JISG 4051	18,2	-	hardness	-		
Field	-	-	Y	B-E/1-6	F 4	-		
Date/Name	21.02.2008 K.Marx	14.03.2008 K.Marx	19.08.08 Hb	07.01.2009 Hein	26.7.10 KeBelh.	12.06.2014 Hein		
Chg. No.	-	-	567434	570251	581812	614237		
Rev.	0	1	2	3	4	5		

Material:	1.1191 45 GB 8162-99
Edge tolerances acc. to DIN ISO 13715	
Surface finish	DIN EN ISO 1302
Replaces:	
STABILUS	

All dimensions are in mm	Identification of important characteristics
Scale: (Original DIN A3) 2:1	Dimensions without tolerances DIN ISO 2768-mK
We reserve all rights to this document, to any patents or patent registrations related hereto, and to the duplication, retransmission by third parties and misc. use. Any use of this document is not permitted without the written consent of STABILUS.	
PISTON ROD	

Drawn by	Date	Name
Checked		
Document No.:	10152823	
Material No.:	011364	