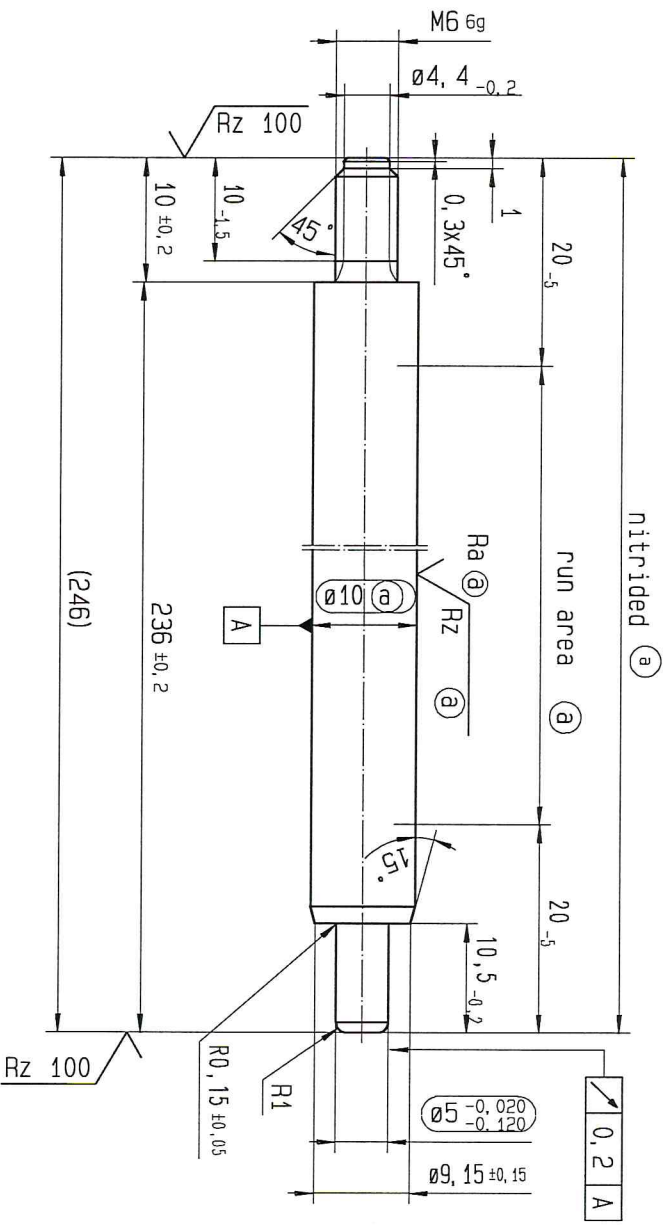


ⓐ piston rod processing per STAB-Spec. 10028959, table 1



thread tolerances acc. to DIN ISO 965-3

$\sqrt{Rz\ 25}$
 $\sqrt{Rz\ 100}$
 $Ra\ \textcircled{a}$
 $Rz\ \textcircled{a}$
 $\sqrt{+0,2}$
 $\sqrt{-0,2}$

AIAG CQI-standards acc. to STAB-Spec. 10027692
 CAD created document; handwritten changes not permitted

DE: X	EN: X	ES:	IT:	PR:	FR:	RO:	Material: 1.1193 S45C JISG 4051		All dimensions are in mm		Environmental protection acc. to STAB-Spec. 10005649	
new	INITIAL RELEASE						Edge tolerances acc. to DIN ISO 13715		Scale: 2:1		Identification of important characteristics <input type="checkbox"/> Dimensions without tolerances	
old	-						Surface finish DIN EN ISO 1302		He reserve all rights to this document, to any patents or patent registrations related hereto, and to the qualification, retransmission by third parties and misc. use. Any use of this document is not permitted without the written consent of STABILUS.		Date: 01.07.2015	
Field	-						Replaces:		Document No.: 10222925		Date: 01.07.2015	
Date/Name	01.07.2015	Höfer					STABILUS		PISTON ROD		Date: 01.07.2015	
Chg. No.	625491										Material No.: 452450	
Rev.	0										Name: Höfer	

RELEASE
 for Supplier
 Company: Zhang 501
 01.07.2015
 (date / signature)