

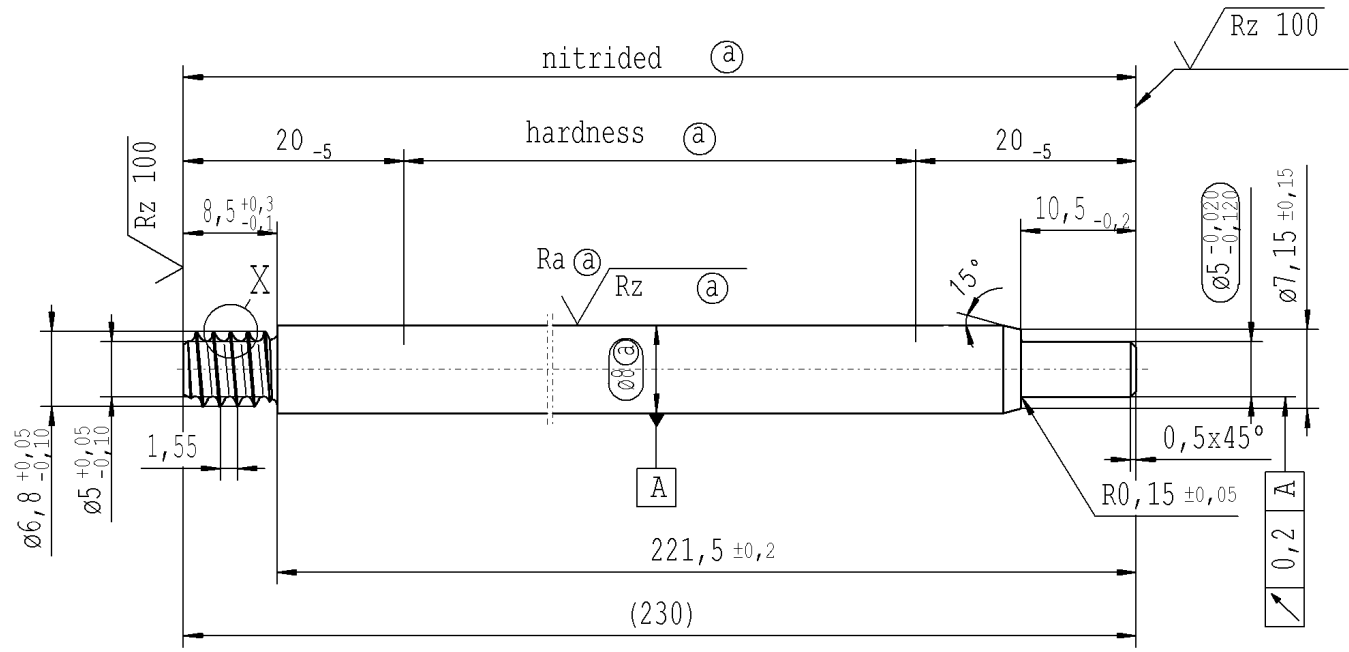
The print-out is not subject to the modification service.

Intended for internal and supplier use

EN

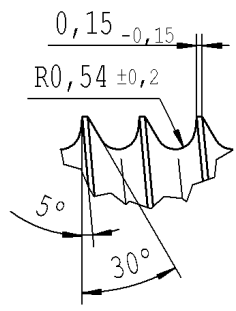
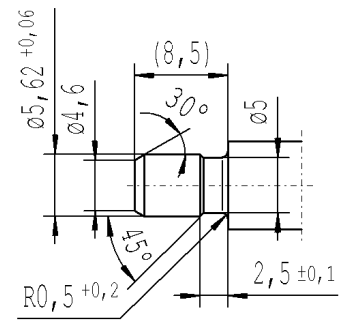
**RELEASE**  
 for supplier  
 company Zhang Shi

Ⓐ piston rod processing per STAB-Spec. 10028959, table 1



X 5:1

pre-worked:



$\sqrt{Rz\ 25}$  ( $\sqrt{Rz\ 100}$   $Ra\ \text{Ⓐ}$   $Rz\ \text{Ⓐ}$ )  $\swarrow +0,2$   $\searrow -0,2$

Environmental protection acc. to STAB-Spec. 10005649

DE: X	EN: X	ES:	IT:	PR:	FR:	RO:	CAD created document; handwritten changes not permitted	Material: 1.1193 S45C JISG 4051	All dimensions are in mm	Identification of important characteristics	Drawn by 10.09.2009 Hein	Name
new	INITIAL RELEASE							Edge tolerances acc. to DIN ISO 13715	Scale: (Original DIN A3) 2:1	Dimensions without tolerances DIN ISO 2768-mK	Checked 10.09.2009 Klinkner	
old	-							Surface finish DIN EN ISO 1302	We reserve all rights to this document, to any patents or patent registrations related hereto, and to the duplication, retransmission by third parties and misc. use. Any use of this document is not permitted without the written consent of STABILUS.		Document No.: 10151065	
Field	-							Replaces:			Material No.: 034752	
Date/Name	10.09.2009 Hein								<b>STABILUS</b>		<b>PISTON ROD</b>	
Chg. No.	-											
Rev.	0											

Ident. Doc.: