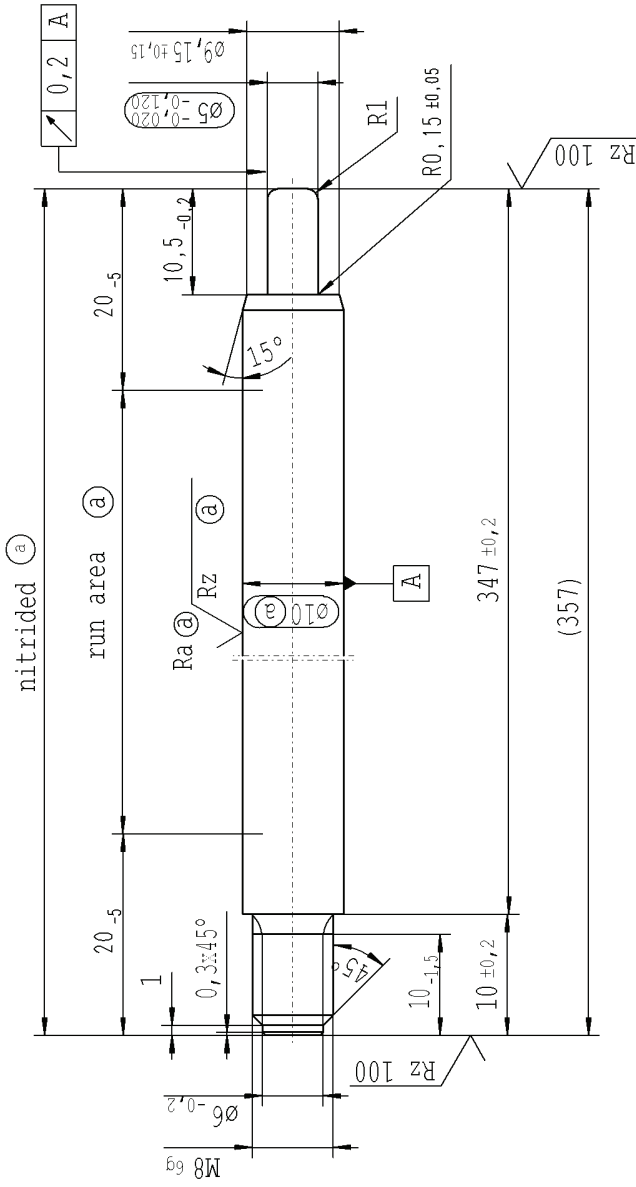


③ piston rod processing per STAB-Spec. 10028959, table 1



**RELEASE**  
for supplier  
company Zhang Shi  
22.09.2015 Schilz A.  
(date / signature)

thread tolerances acc. to DIN ISO 965-3

$\sqrt{Rz\ 25}$  ( $\sqrt{Rz\ 100}$   $Ra\ (a)$   $Rz\ (a)$ )  $\sqrt{+0,2}$   $\sqrt{-0,2}$

Material: 1.1193 S45C JISG 4051		All dimensions are in mm		Identification of important characteristics		Name	
Edge tolerances acc. to DIN ISO 13715		Scale: 2:1		Dimensions without tolerances		Date	
Surface finish DIN EN ISO 1302		(Original DIN A3)		DIN ISO 2768-mK		Drawn by 22.09.2015 Jablonski	
Replaces:		Use references only (link to this document, to any characteristics of material registrations related hereto, and to the duplication, retransmission by third parties and misc. use. Any use of this document is not permitted without the written consent of STABILUS).		Document No.:		22.09.2015 Millers	
STABILUS		Environmental protection acc. to STAB-Spec. 10027692		Material No.:		10166619	
CAD created document; handwritten changes not permitted		AIAG CQI-standards acc. to STAB-Spec. 10027692		Material No.:		291843	
DE: X	EN: X	ES: -	IT: -	FR: -	RO: -	Material No.:	
new	INITIAL RELEASE					291843	
old	-						
Field	-						
Date/Name	22.09.2015 Jablonski						
Chg. No.	628626						
Rev.	0						