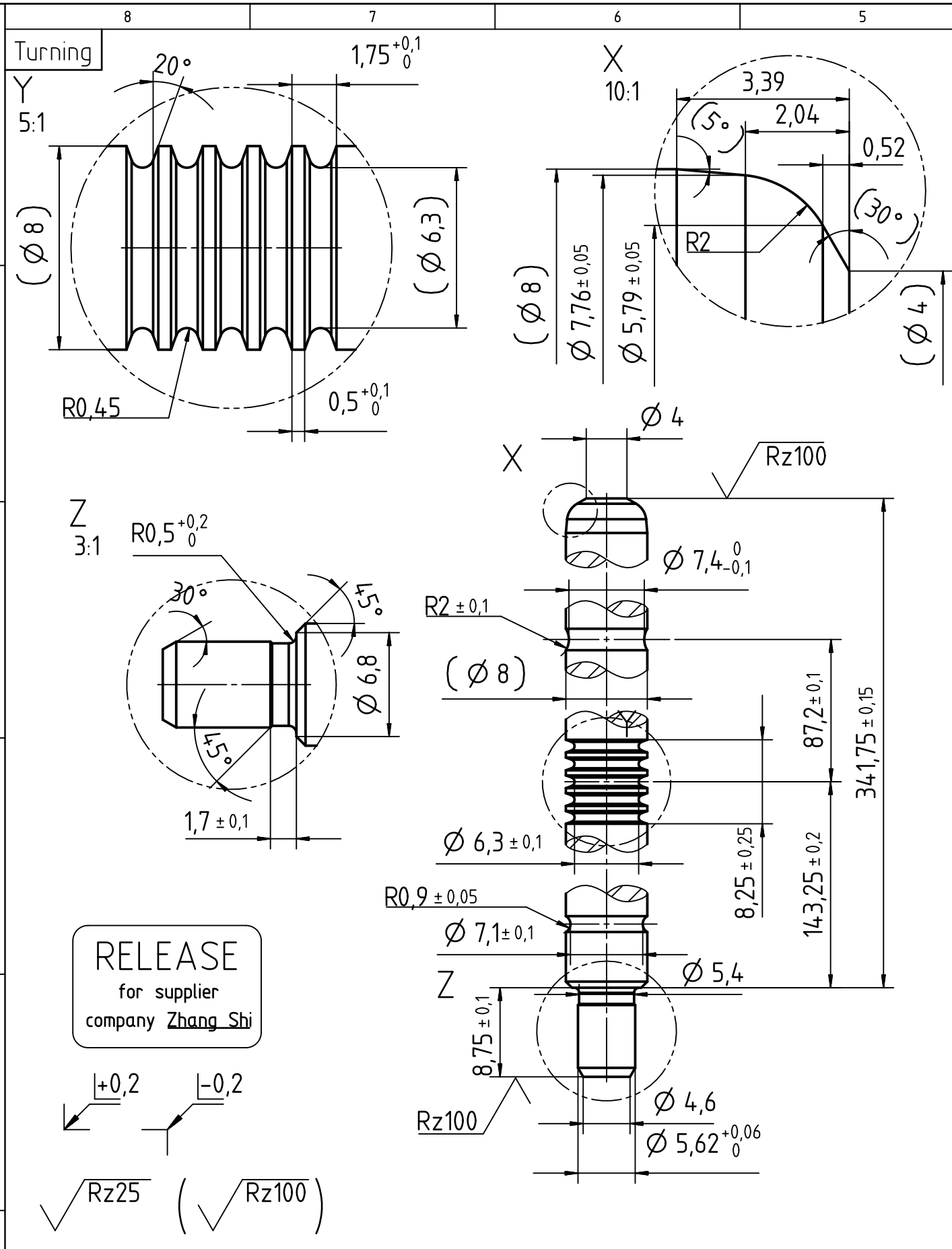
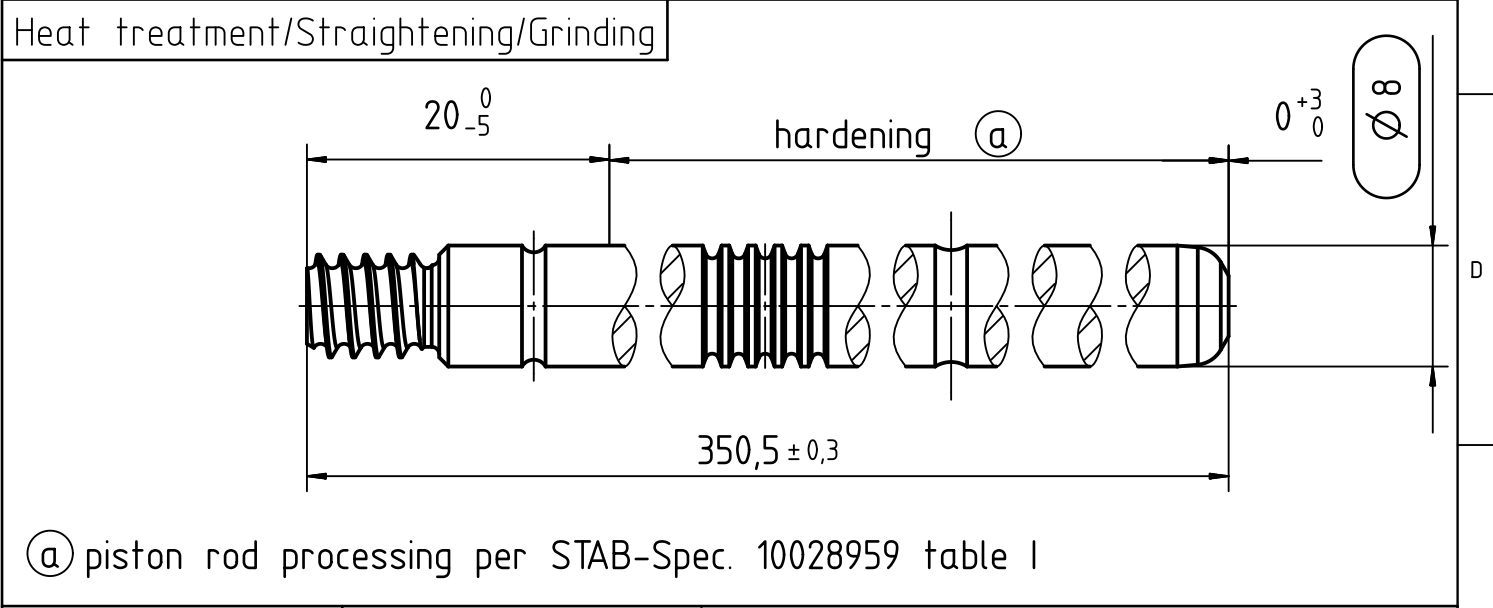
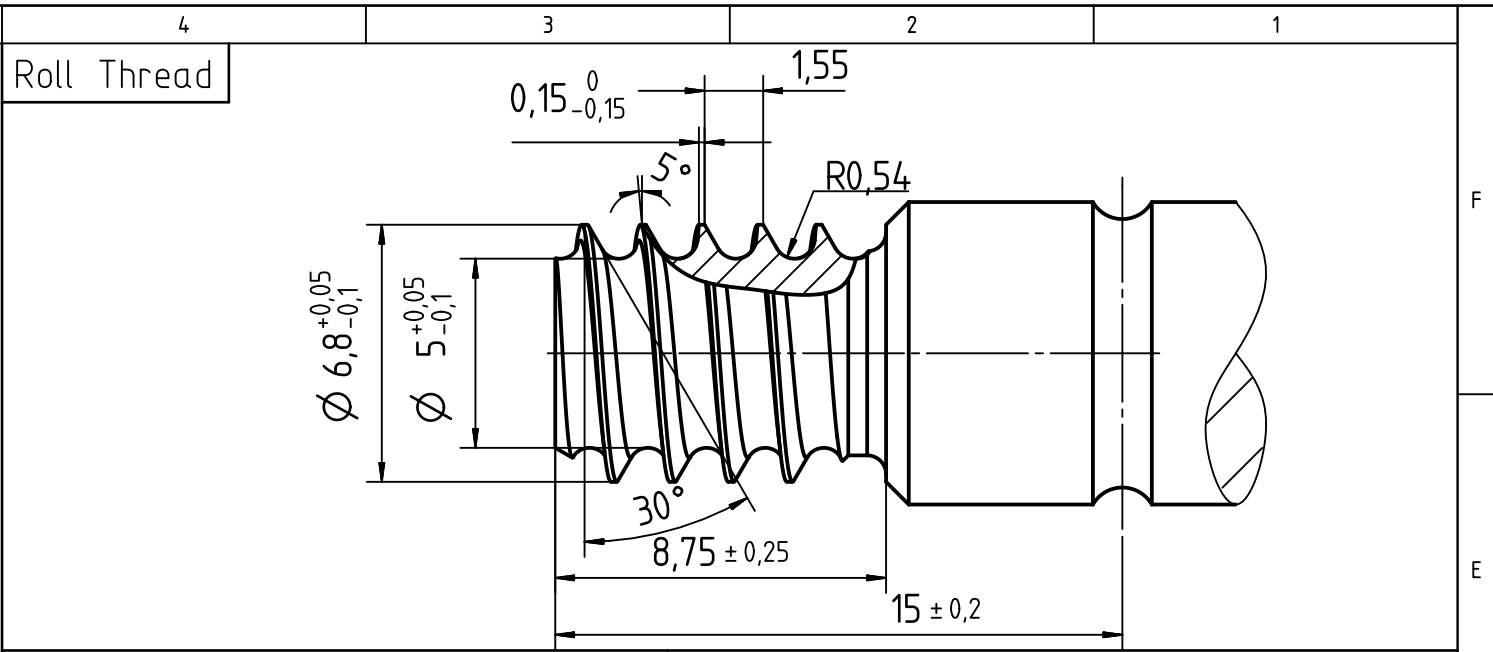


CAD-SYSTEM UNIGRAPHICS ID:pa\_047076\_de1/2

EN Intended for internal and supplier use The print-out is not subject to the modification service

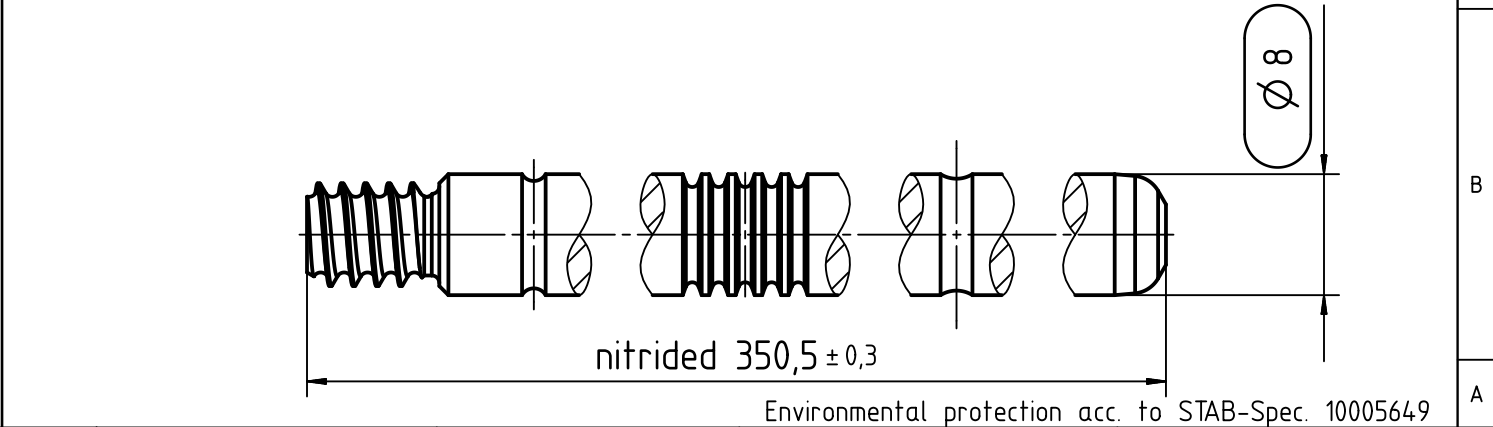


RELEASE  
for supplier  
company Zhang Shi



Surface treatment

surface treatment processing acc. to STAB-Spec. 10028959	
table I QPQ-process Nislide black	table II QP-process Nislide light
X	-



DE: X	EN: X	ES:	IT:	PT:	FR:	RO:
new	length 8,75					
old	length 8,5					
Field	-					
Date/Name	04.07.2008 Rathke,D.					
Change No	566348					
Revision	2					

Material: 1.1193 S45C JISG 4051	All dimensions are in mm	Identification of important characteristics	Date 18.01.2007	Name Huerter,A.
Edge tolerances acc. to DIN ISO 13715	Scale: (Original DIN A3) 2:1	Dimensions without tolerances DIN ISO 2768-mK	Checked 04.07.2008	Hecken,U.
Surface finish DIN EN ISO 1302	We reserve all rights to this document, to any patents or patent registrations related hereto, and to the duplication, retransmission by third parties and misc. use. Any use of this document is not permitted without the written consent of STABILUS. CAD created document; handwritten changes not permitted		Document No.: 10152054	
Replaces: 563918	<b>STABILUS</b> PISTON ROD		Material No.: 009433	

Environmental protection acc. to STAB-Spec. 10005649