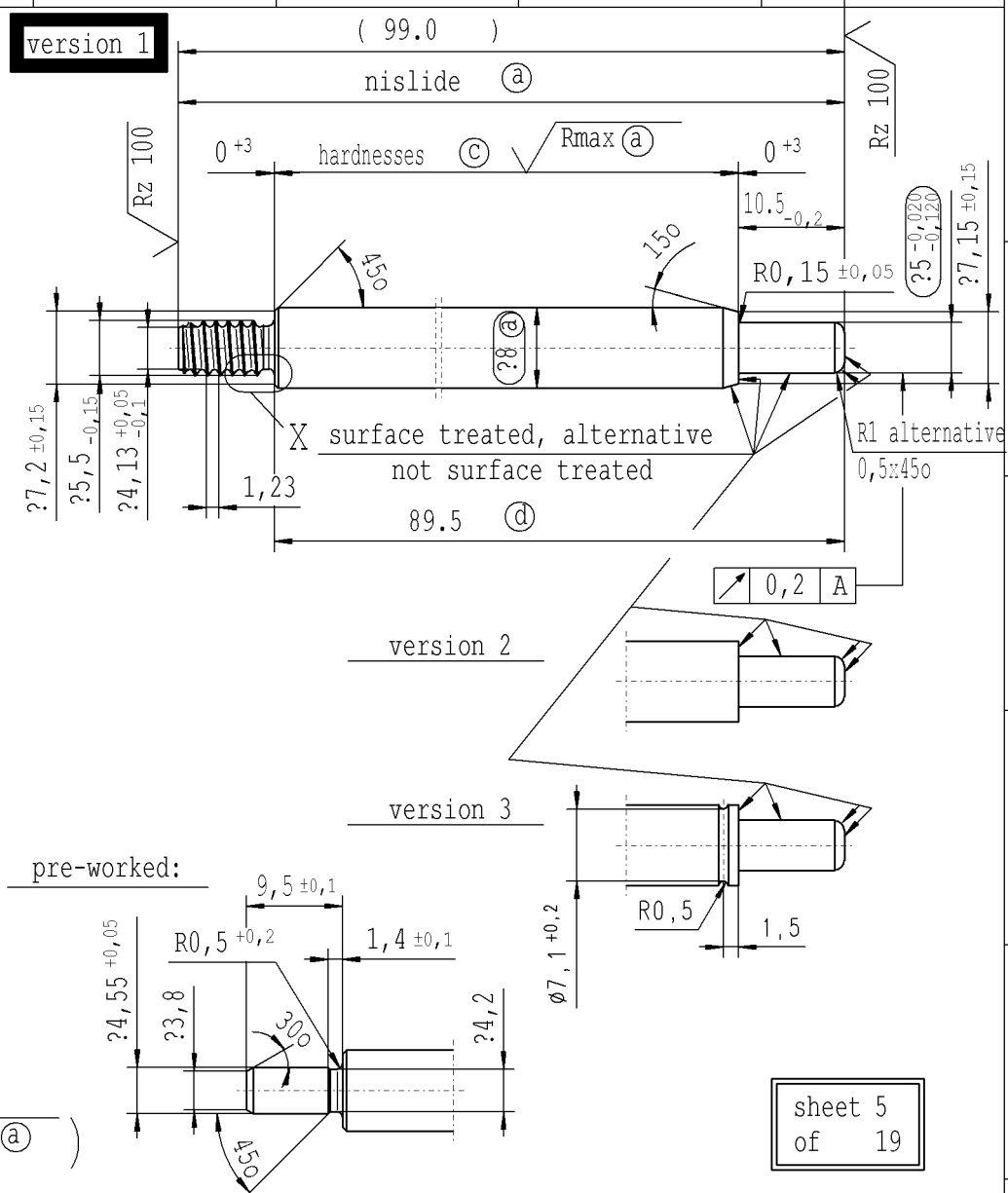
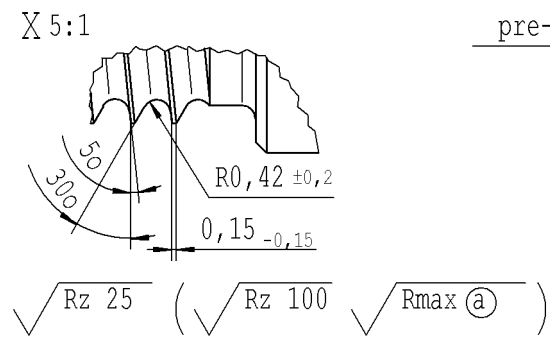


Ident. Doc.: SN 2451C\... The print-out is not subject to the modification service. Intended for internal and supplier use

F supp. No.	material no.			A overall length	B stud length piston side	E length without endfitting stud	F version	G only tab. IV allowable	
	surface treatment processing acc. to STAB-Spec. 10006248								KOST without surface treatment
	table IV Nislide black for STUS / STMX acc. STAB-Spec. 10210309	table VIII Nislide black polished	table X Nislide "G"						
111	7211MG		7211MG	304.0	10.5	294.5	1		
112	7252ME		7252ME	306.0	10.5	296.5	1		
113	7271MY		7271MY	150.0	10.5	140.5	1		
114	7273MO		7273MO	315.0	10.5	305.5	1		
115	7584MJ		7584MJ	216.0	10.5	206.5	1		
116	7676MZ		7676MZ	279.0	10.5	269.5	1		
117	8038MT		8038MT	164.0	10.5	154.5	1		
118	8095MZ		8095MZ	111.0	10.5	101.5	1		
119	8336MI		8336MI	258.0	22.5	248.5	2		
120	0194NC		0194NC	201.0	10.5	191.5	1		
121			792048	306.0	10.5	296.5	1		
122	0584NH		0584NH	138.0	10.5	128.5	1		
123	0586NY		0586NY	243.0	10.5	233.5	1		
124	0602NE		0602NE	99.0	10.5	89.5	1		
126	3916MS		3916MS	114.0	10.5	104.5	1		
127	0717NU		0717NU	264.0	10.5	254.5	1		

- Ⓐ piston rod processing per STAB-Spec. 10006248
- Ⓒ EHT 0,4...0,7 mm before grinding > 68 HRA (per DIN ISO 6508)
- Ⓓ tolerance  $\begin{matrix} +0,2 \\ -0,1 \end{matrix}$  after turning  $\begin{matrix} +0,3 \\ -0,3 \end{matrix}$  after straightening  $\begin{matrix} +0,3 \\ -0,3 \end{matrix}$  after nisliding



sheet 5 of 19

DE: X				EN: X				ES: X				IT:				PR: X				FR:				RO:				CAD created document handwritten changes not permitted				Material: mat. No. 010731				All dimensions are in mm				Identification of important characteristics				Date				Name			
new				0,5x450 alternative R1				SN 10151066				SN 10151066				R1 alternative 0,5x450				R0,42 ±0,2 ±0,15				Supplier / KOST w/o surface				Edge tolerances acc. to DIN ISO 13715				Scale: (Original DIN A3) 2:1				Dimensions without tolerances DIN ISO 2768-mK				Drawn by 17.12.1998 Ke2elheim				Checked 16.05.2014 Milles							
old				0,5x450				Pos.225,Pos.227,Pos.286,Pos.287				Pos.226,Pos.228				0,5x450 alternative R1				R1,26 0,38 -0,15				internal / -				Surface finish DIN EN ISO 1302				We reserve all rights to this document, to any patents or patent registrations related hereto, and to the duplication, retransmission by third parties and misc. use. Any use of this document is not permitted without the written consent of STABILUS.				Document No.: 10001097				Material No.:											
Field				D-E/1				-				-				D-E/1				B/5-6				-				Replaces: Zchng.gl.Nr.v.11.10.93				<b>STABILUS</b>				PISTON ROD															
Date/Name				28.05.2008 Hein				29.05.2008 Hein				11.08.2008 H2fer				25.02.2009 Hein				28.04.2010 Hein				16.05.2014 Donat																											
Chg. No.				565548				565548				567276				571409				579932				613491																											
Rev.				35				36				37				38				39				40																											