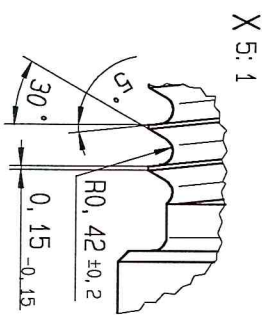
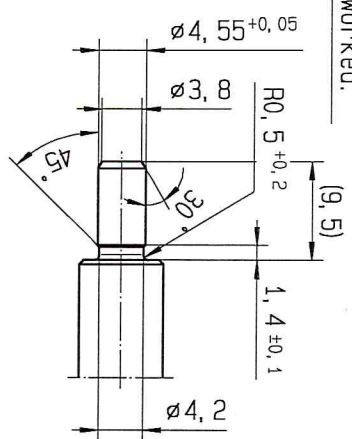
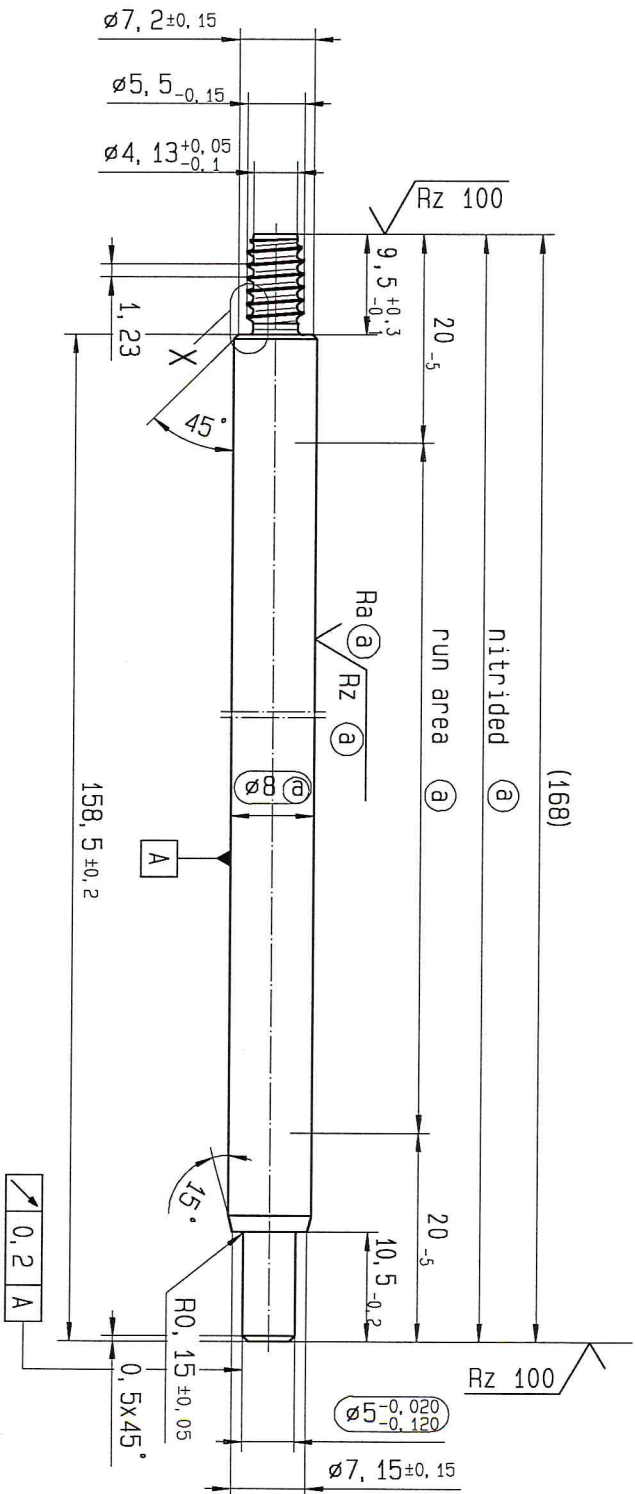


① piston rod processing per STAB-Spec. 10028959, table 1



√ Rz 25 (√ Rz 100 Ra ① Rz ①) √ +0,2 -0,2

RELEASE
for supplier
Company Zhang Shi
20.10.2014
Stabilus A.
(date / signature)

AIAB CQI-standards acc. to STAB-Spec. 10027692
CAD created document; handwritten changes not permitted

DE: X	EN: X	ES:	IT:	PR:	FR:	RD:	Material: 1.1193	Edge tolerances acc. to DIN ISO 13715	Surface finish	Mediaces:	STABILUS	Material No.: 135533
new	INITIAL RELEASE						S45C JISG 4051	DIN EN ISO 1302			PISTON ROD	10151066
Field	-											
Dwg. No.	20.10.2014	Höfer										
Rev.	0	617893										

Environmental protection acc. to STAB-Spec. 10005649
All dimensions are in mm
Scale: 2:1
Dimensions without tolerances
Important characteristics
Identification of
Dimensions without tolerances
DIN ISO 2768-MK
We reserve all rights to this document, to our patents, registrations, trademarks and other intellectual property rights. Any use of this document is not permitted without the written consent of STABILUS.

Date: 20.10.2014
Name: Höfer