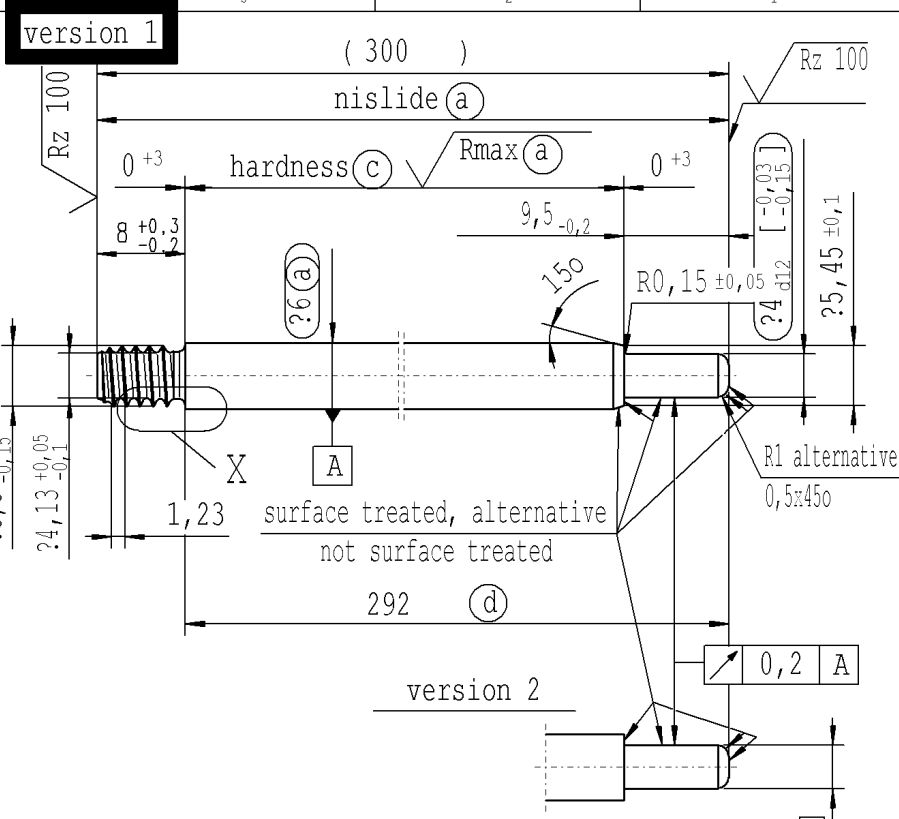
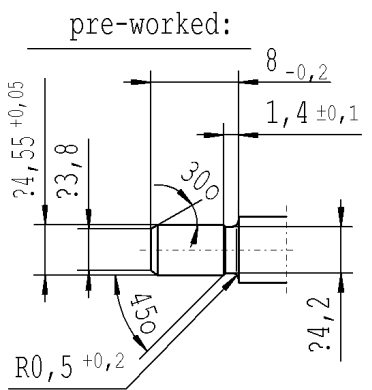
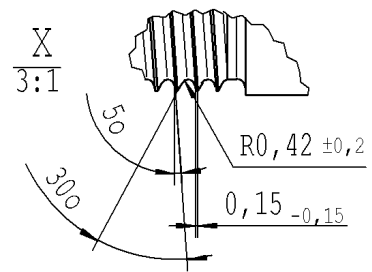


CONFIDENTIAL!
Intended for internal use only

EN

supp. No.	material no.			A	E	F
	surface treatment processing acc. to STAB-Spec.			overall length	length without endfitting stud	version
	10006248 Tab. IV	10006248 Tab. X	10028959 Tab. I China pay part			
3	016362		016362	180	172	1
4	020901		020901	165	157	1
5	032882		032882	161	153	1
6	032884		032884	140	132	1
7	032885		032885	191	183	1
8	763639		763639	200	192	1
9	834119		834119	129	121	1
10	424474		424474	144	136	1
11	480400		480400	128	120	1
12	123101		123101	189	181	1
13	276785		276785	120	112	1
14	439307		439307	102	94	1
15	451257		451257	201	193	1
16	451496		451496	300	292	1
17	451735		451735	402	394	1
18	268900		268900	99	91	1
19	269856		269856	159	151	1
20	333908		333908	101	93	1
21	084632		084632	195	187	1
22	394375		394375	126	118	1
23	115702		115702	225	217	1



Production Stabilus

- (a) piston rod processing acc. to STAB-Spec. 10006248
- (c) RHT 0,4..0,7 mm before grinding, > 68 HRA (acc. to DIN ISO 6508)
- (d) tolerances: $\begin{matrix} +0,2 \\ -0,1 \end{matrix}$ after turning
 $\pm 0,2$ after straightening
 $\pm 0,2$ after nisliding

for pay part China product family: 2008/0130 approved lengths: 80-600 mm

Pay part China acc separate Supplier-drawing

$\sqrt{Rz\ 25}$ ($\sqrt{Rz\ 100}$ $\sqrt{Rmax\ (a)}$)

sheet 1 of 1

Environmental protection acc. to STAB-Spec. 10005649

Ident. Doc.:
Date: 2016/2/19 / 10:55:57 ***** print not scaled *****

DE: X	EN: X	ES:	IT:	PR:	FR:	RO:	CAD created document handwritten changes not permitted	
new	INITIAL RELEASE		Tol. thread	text: product family ...	80-200	R1 alternative 0,5x450	Table X completed	approved lengths: 80-600mm
old	-	-	-	- dimension B	80-150	0,5x450	-	approved lengths: 80-200mm
Field	-	-	-	B/C 2/3 A-F 7/8	B3	E/1	A-F/7-8	E/3-4
Date/Name	07.12.2007 H?fer	14.01.08 H?	09.05.2008 Hein	25.07.08 H?	29.04.2009 Hein	06.07.2010 Hein	24.11.2015 Hein	
Chg. No.	-	562504	564472	566931	572540	581328	630576	
Rev.	0	1	2	3	4	5	6	

Material:	mat.no. 010707
Edge tolerances acc. to DIN ISO 13715	
Surface finish DIN EN ISO 1302	
Replaces:	
STABILUS	

All dimensions are in mm	Identification of important characteristics
Scale: (Original DIN A3) 2:1	Dimensions without tolerances DIN ISO 2768 mK
We reserve all rights to this document, to any patents or patent registrations related hereto, and to the duplication, retransmission by third parties and misc. use. Any use of this document is not permitted without the written consent of STABILUS.	
PISTON ROD	

Drawn by	Date	Name
Checked	07.12.2007	H?fer
	25.11.2015	Klinkner
Document No.:	10151336	
Material No.:		