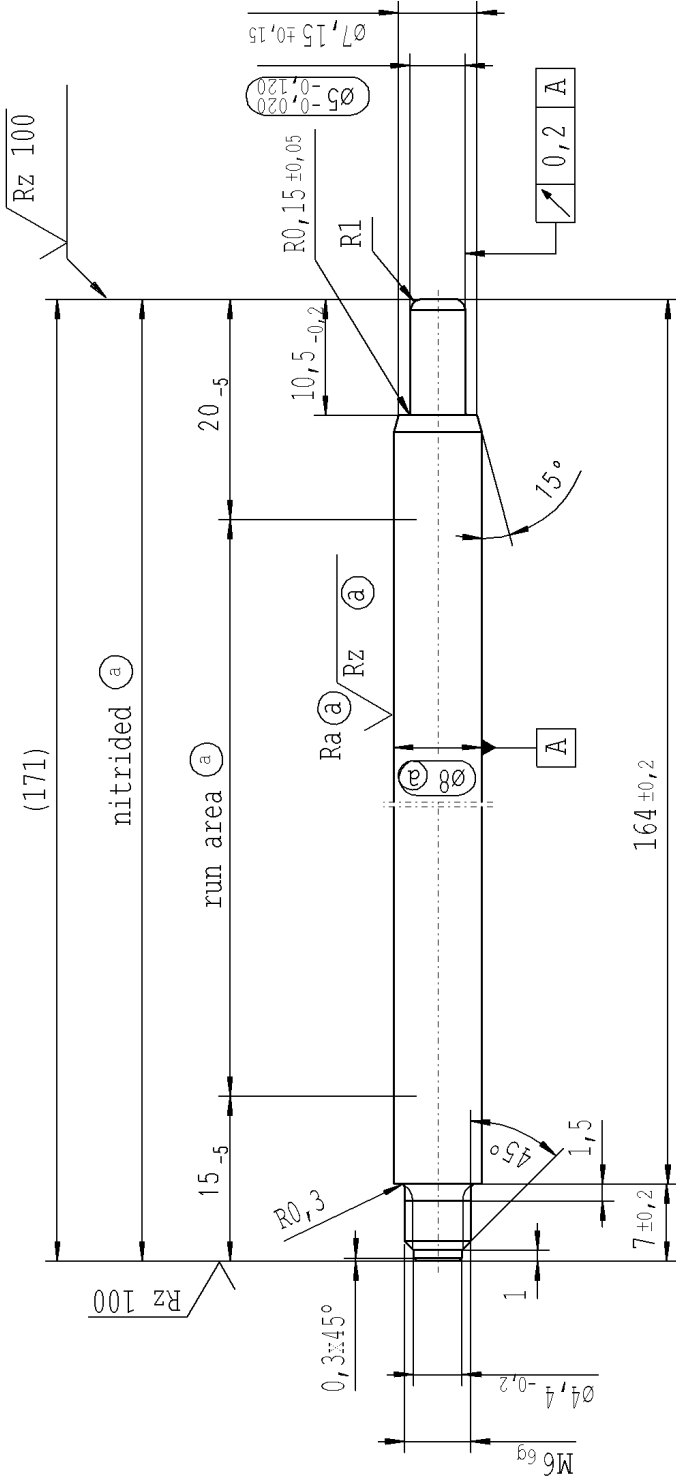


Ⓐ piston rod processing per STAB-Spec. 10028959, table 1



thread tolerances acc. to DIN ISO 965-3

√ Rz 25 (√ Rz 100 Ra Ⓐ Rz Ⓐ) | +0,2 | -0,2

DE: X		EN: X		ES:		IT:		PR:		FR:		RO:	
new		INITIAL RELEASE		-		-		-		-		-	
old													
Field													
Date/Name		12.07.2016		Höfer									
Chg. No.		641407											
Rev.		0											
AIAG CQI-standards acc. to STAB-Spec. 10027692										Environmental protection acc. to STAB-Spec. 10005649			
CAD created document; handwritten changes not permitted										All dimensions are in mm			
Material: 1.1193										Identification of important characteristics			
S45C JISG 4051										Scale: 2:1			
Edge tolerances acc. to DIN ISO 13715										Dimensions without tolerances (Original DIN A3)			
Surface finish DIN EN ISO 1302										DIN ISO 2768-mK			
Replaces:										We reserve all rights to this document, to any patents or patent registrations related hereto, and to the duplication, retransmission by third parties and aisc. use. Any use of this document is not permitted without the written consent of STABILUS.			
RELEASE for supplier										Document No.: 10151863			
Zhang Shi										Material No.: 850148			
company										PISTON ROD			
Dat. 12.07.2016 Schilz A.													
(date / signature)													