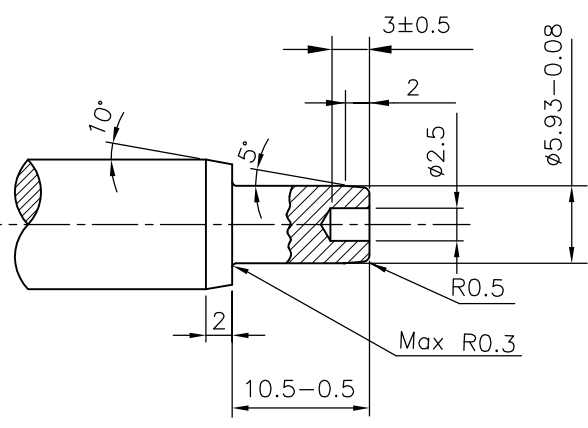
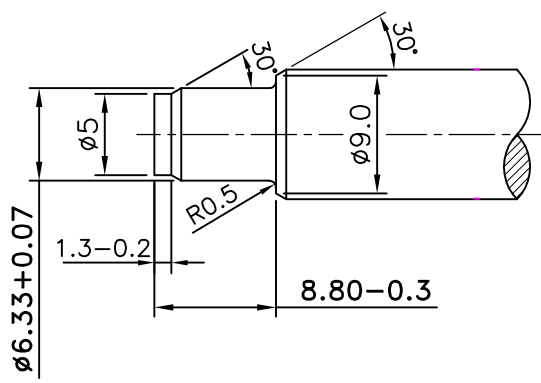


N1 N2



N1

N3	TENIFER COATING WITH COMPOUND LAYER 10 TO 20μ
N2	TOL. IN STRAIGHTNESS TO STS-0007.
N1	ALL DIMNS. ARE IN MM.

NOTES

- = CONTROLLED MEASUREMENT
- () = MEASUREMENT FOR REF. ONLY
- [] = PRE-MACHINING/RAW MATL. MEASUREMENT (REF.)

01/00	26.10.2016	INITIAL RELEASE			
ISS/REV	DATE	SRN / SCN / ALTERATION	DRN	CHD	APPD

THIS DRAWING IS A SOLE PROPERTY OF SPIL & REVISION OR DUPLICATING IS AN OFFENCE

PART DESC. PISTON ROD-M7

THIRD ANGLE PROJECTION		SCALE	NTS	No. OFF PER ASSEMBLY	ASSEMBLE WITH
NOMINAL TOLERANCE	ANGULAR TOL.	MATERIAL	C-35	1	SUB ASSY.PISTON ROD
HEAT TREATMENT	MIN. 430Hv-0.1kg/15sec	HARDNESS	---	DRN.	CKD. APPD. DATE
FINISH	N3	PRODUCT	PART NUMBER		

SUSPA PNEUMATICS (I) LTD., CHENNAI. **16-4 SERIES MAHINDRA U321** **S05184152**