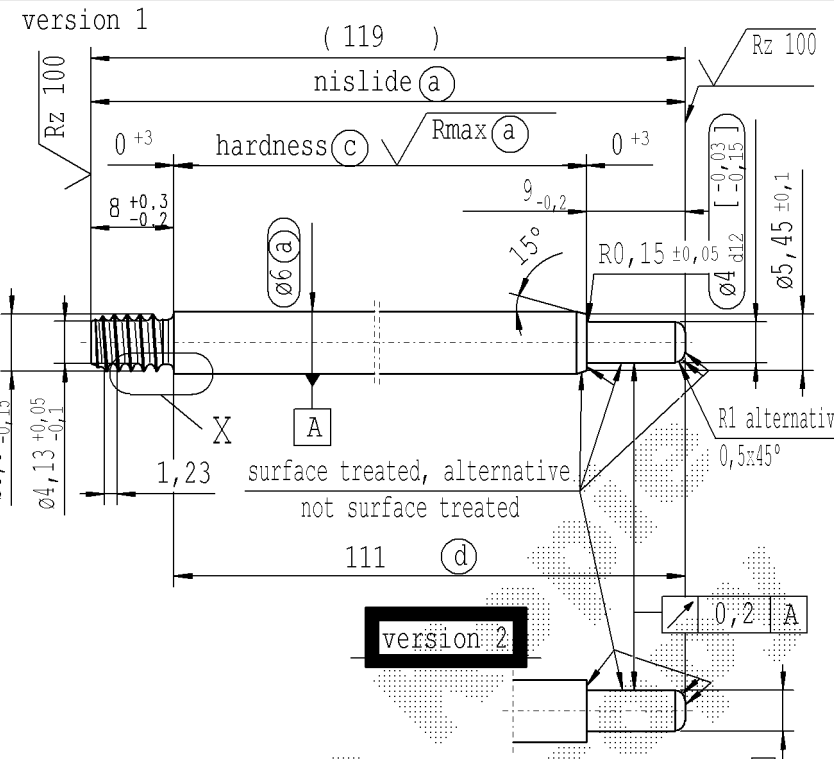
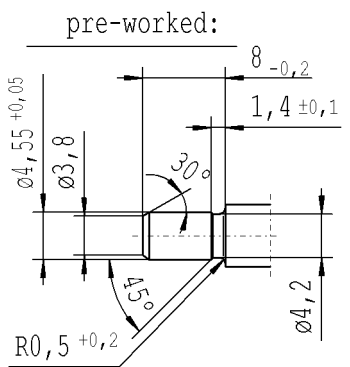
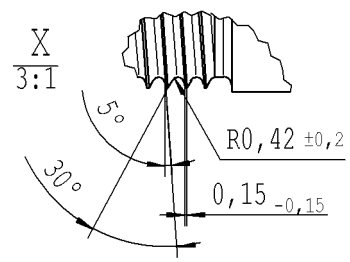


CONFIDENTIAL!
Intended for internal use only

supp. No.	material no.			A	E	F
	surface treatment processing acc. to STAB-Spec.			overall length	length without endfitting stud	version
	10006248 Tab. IV	10006248 Tab. X	10028959 Tab. I China pay part			
1	445739		445739	243	235	2
2	248341	248341	248341	207	199	2
3	349199	349199	349199	171	163	2
4	147724	147724	147724	108	100	2
5	375495	375495	375495	216	208	2
6	789920	789920	789920	177	169	2
7	903447	903447	903447	119	111	2

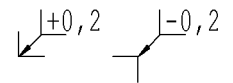


Production Stabilus

- (a) piston rod processing acc. to STAB-Spec. 10006248
- (c) RHT 0,4..0,7 mm before grinding, > 68 HRA (acc. to DIN ISO 6508)
- (d) tolerances: +0,2/-0,1 after turning
+0,2 after straightening
+0,2 after nisliding

for pay part China
product family:
2011/0023
approved
lengths:
80-600 mm

Pay part China
acc separate
Supplier-
drawing



sheet 1
of 1

Environmental protection acc. to STAB-Spec. 10005649

Ident. Doc.:
ErsteLfdernr.: 30/6/2016 - 8:3

DE: X	EN: X	ES:	IT:	PR:	FR:	RO:	CAD created document handwritten changes not permitted		Material:	All dimensions are in mm	Identification of important characteristics	Drawn by	Date	Name
new	INITIAL RELEASE						product family:2011/0023 approved lengths:80-300mm	approved lengths: 80-600mm	mat.no.: 010707	Scale:	Dimensions without tolerances	Checked	29.11.2010	Höfer
old	-						product family:****/xxxx approved lengths:80-xxxx	approved lengths: 80-300mm	Edge tolerances acc. to DIN ISO 13715	(Original DIN A3) 2:1	DIN ISO 2768 mK		25.11.2015	Klinkner
Field	-						B-C/2-3	B/3-4	Surface finish DIN-EN-ISO 1302	We reserve all rights to this document, to any patents or patent registrations related hereto, and to the duplication, retransmission by third parties and misc. use. Any use of this document is not permitted without the written consent of STABILUS.				Document No.:
Date/Name	29.11.2010 Höfer						31.05.2011 Hein	24.11.2015 Hein	Replaces:					10177465
Chg. No.	-						588927	630576						Material No.:
Rev.	0						1	2	STABILUS					
										PISTON ROD				