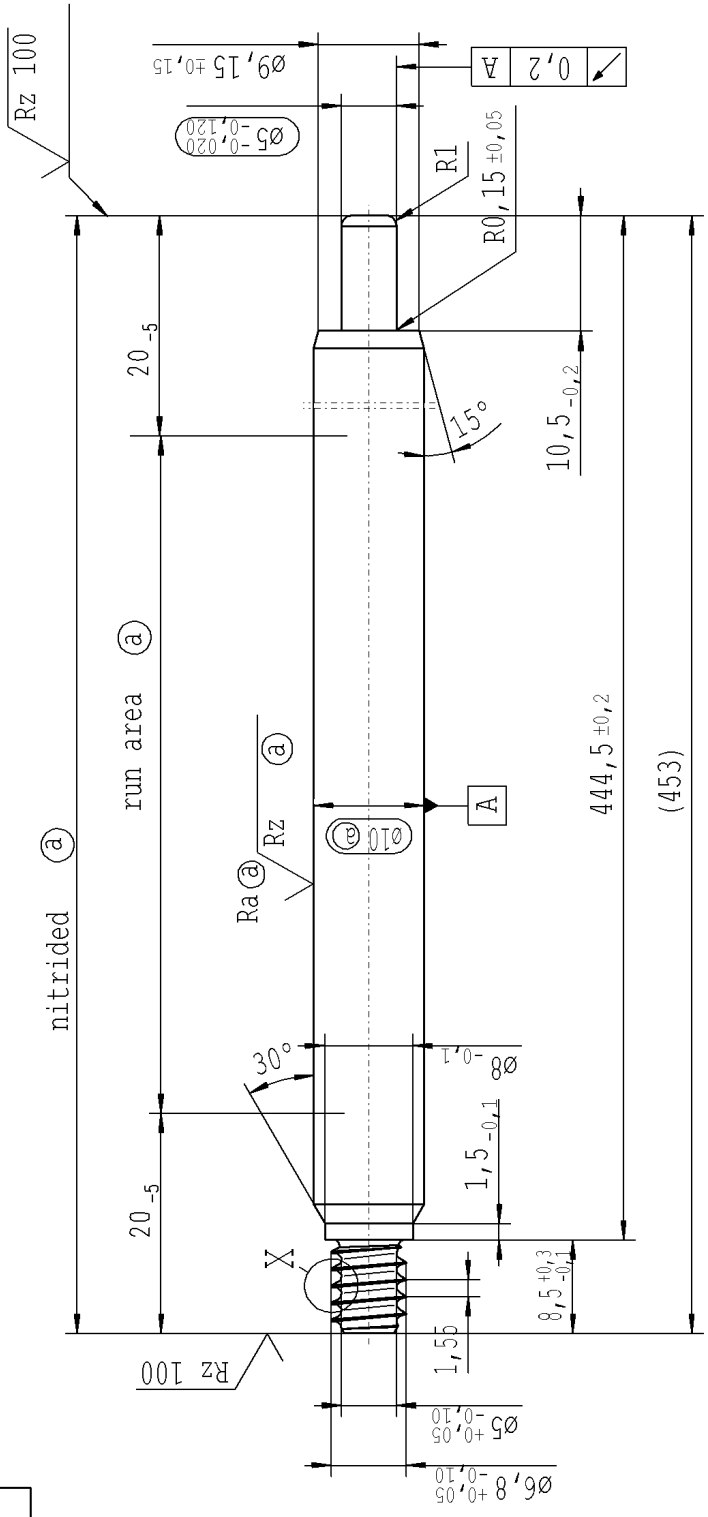


Ⓐ piston rod processing per STAB-Spec. 10028959, table 1

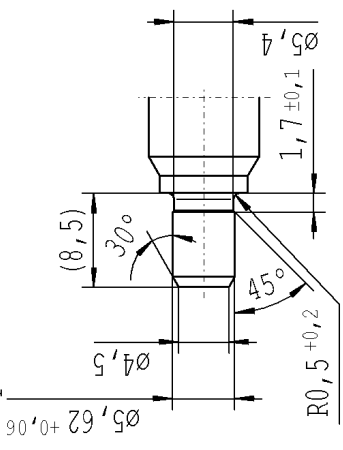
The print-out is not subject to the modification service.

Intended for internal and supplier use

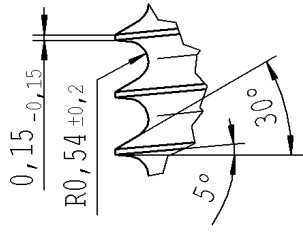
EN



pre-worked:



X 5:1



√ Rz 25 (√ Rz 100 Ra Ⓐ Rz Ⓐ) ↘ +0,2 -0,2

| | | | | | |
|----|--|---|--|--|--|
| A | | AIAG CQI-standards acc. to STAB-Spec. 10027692 | | Environmental protection acc. to STAB-Spec. 10005649 | |
| B | | CAD created document; handwritten changes not permitted | | All dimensions are in mm | |
| C | | Material: 1.1193 S45C JISG 4051 | | Identification of important characteristics | |
| D | | Edge tolerances acc. to DIN ISO 13715 | | Scale: (Original DIN A3) 2:1 | |
| E | | Surface finish DIN EN ISO 1302 | | Dimensions without tolerances | |
| F | | Replaces: | | DIN ISO 2768 mK | |
| G | | Date: 29.07.2016 | | We reserve all rights to this document, to any patents or patent registrations related hereto, and to the duplication, retransmission by third parties and misc. use. Any use of this document is not permitted without the written consent of STABILUS. | |
| H | | Signature: ZhangShi | | Document No.: 10151520 | |
| I | | Date: 29.07.2016 | | Material No.: 975384 | |
| J | | Signature: Schilz A. | | Material No.: 975384 | |
| K | | Date: 29.07.2016 | | Material No.: 975384 | |
| L | | Signature: ZhangShi | | Material No.: 975384 | |
| M | | Date: 29.07.2016 | | Material No.: 975384 | |
| N | | Signature: ZhangShi | | Material No.: 975384 | |
| O | | Date: 29.07.2016 | | Material No.: 975384 | |
| P | | Signature: ZhangShi | | Material No.: 975384 | |
| Q | | Date: 29.07.2016 | | Material No.: 975384 | |
| R | | Signature: ZhangShi | | Material No.: 975384 | |
| S | | Date: 29.07.2016 | | Material No.: 975384 | |
| T | | Signature: ZhangShi | | Material No.: 975384 | |
| U | | Date: 29.07.2016 | | Material No.: 975384 | |
| V | | Signature: ZhangShi | | Material No.: 975384 | |
| W | | Date: 29.07.2016 | | Material No.: 975384 | |
| X | | Signature: ZhangShi | | Material No.: 975384 | |
| Y | | Date: 29.07.2016 | | Material No.: 975384 | |
| Z | | Signature: ZhangShi | | Material No.: 975384 | |
| AA | | Date: 29.07.2016 | | Material No.: 975384 | |
| AB | | Signature: ZhangShi | | Material No.: 975384 | |
| AC | | Date: 29.07.2016 | | Material No.: 975384 | |
| AD | | Signature: ZhangShi | | Material No.: 975384 | |
| AE | | Date: 29.07.2016 | | Material No.: 975384 | |
| AF | | Signature: ZhangShi | | Material No.: 975384 | |
| AG | | Date: 29.07.2016 | | Material No.: 975384 | |
| AH | | Signature: ZhangShi | | Material No.: 975384 | |
| AI | | Date: 29.07.2016 | | Material No.: 975384 | |
| AJ | | Signature: ZhangShi | | Material No.: 975384 | |
| AK | | Date: 29.07.2016 | | Material No.: 975384 | |
| AL | | Signature: ZhangShi | | Material No.: 975384 | |
| AM | | Date: 29.07.2016 | | Material No.: 975384 | |
| AN | | Signature: ZhangShi | | Material No.: 975384 | |
| AO | | Date: 29.07.2016 | | Material No.: 975384 | |
| AP | | Signature: ZhangShi | | Material No.: 975384 | |
| AQ | | Date: 29.07.2016 | | Material No.: 975384 | |
| AR | | Signature: ZhangShi | | Material No.: 975384 | |
| AS | | Date: 29.07.2016 | | Material No.: 975384 | |
| AT | | Signature: ZhangShi | | Material No.: 975384 | |
| AU | | Date: 29.07.2016 | | Material No.: 975384 | |
| AV | | Signature: ZhangShi | | Material No.: 975384 | |
| AW | | Date: 29.07.2016 | | Material No.: 975384 | |
| AX | | Signature: ZhangShi | | Material No.: 975384 | |
| AY | | Date: 29.07.2016 | | Material No.: 975384 | |
| AZ | | Signature: ZhangShi | | Material No.: 975384 | |
| BA | | Date: 29.07.2016 | | Material No.: 975384 | |
| BB | | Signature: ZhangShi | | Material No.: 975384 | |
| BC | | Date: 29.07.2016 | | Material No.: 975384 | |
| BD | | Signature: ZhangShi | | Material No.: 975384 | |
| BE | | Date: 29.07.2016 | | Material No.: 975384 | |
| BF | | Signature: ZhangShi | | Material No.: 975384 | |
| BG | | Date: 29.07.2016 | | Material No.: 975384 | |
| BH | | Signature: ZhangShi | | Material No.: 975384 | |
| BI | | Date: 29.07.2016 | | Material No.: 975384 | |
| BJ | | Signature: ZhangShi | | Material No.: 975384 | |
| BK | | Date: 29.07.2016 | | Material No.: 975384 | |
| BL | | Signature: ZhangShi | | Material No.: 975384 | |
| BM | | Date: 29.07.2016 | | Material No.: 975384 | |
| BN | | Signature: ZhangShi | | Material No.: 975384 | |
| BO | | Date: 29.07.2016 | | Material No.: 975384 | |
| BP | | Signature: ZhangShi | | Material No.: 975384 | |
| BQ | | Date: 29.07.2016 | | Material No.: 975384 | |
| BR | | Signature: ZhangShi | | Material No.: 975384 | |
| BS | | Date: 29.07.2016 | | Material No.: 975384 | |
| BT | | Signature: ZhangShi | | Material No.: 975384 | |
| BU | | Date: 29.07.2016 | | Material No.: 975384 | |
| BV | | Signature: ZhangShi | | Material No.: 975384 | |
| BW | | Date: 29.07.2016 | | Material No.: 975384 | |
| BX | | Signature: ZhangShi | | Material No.: 975384 | |
| BY | | Date: 29.07.2016 | | Material No.: 975384 | |
| BZ | | Signature: ZhangShi | | Material No.: 975384 | |
| CA | | Date: 29.07.2016 | | Material No.: 975384 | |
| CB | | Signature: ZhangShi | | Material No.: 975384 | |
| CC | | Date: 29.07.2016 | | Material No.: 975384 | |
| CD | | Signature: ZhangShi | | Material No.: 975384 | |
| CE | | Date: 29.07.2016 | | Material No.: 975384 | |
| CF | | Signature: ZhangShi | | Material No.: 975384 | |
| CG | | Date: 29.07.2016 | | Material No.: 975384 | |
| CH | | Signature: ZhangShi | | Material No.: 975384 | |
| CI | | Date: 29.07.2016 | | Material No.: 975384 | |
| CJ | | Signature: ZhangShi | | Material No.: 975384 | |
| CK | | Date: 29.07.2016 | | Material No.: 975384 | |
| CL | | Signature: ZhangShi | | Material No.: 975384 | |
| CM | | Date: 29.07.2016 | | Material No.: 975384 | |
| CN | | Signature: ZhangShi | | Material No.: 975384 | |
| CO | | Date: 29.07.2016 | | Material No.: 975384 | |
| CP | | Signature: ZhangShi | | Material No.: 975384 | |
| CQ | | Date: 29.07.2016 | | Material No.: 975384 | |
| CR | | Signature: ZhangShi | | Material No.: 975384 | |
| CS | | Date: 29.07.2016 | | Material No.: 975384 | |
| CT | | Signature: ZhangShi | | Material No.: 975384 | |
| CU | | Date: 29.07.2016 | | Material No.: 975384 | |
| CV | | Signature: ZhangShi | | Material No.: 975384 | |
| CW | | Date: 29.07.2016 | | Material No.: 975384 | |
| CX | | Signature: ZhangShi | | Material No.: 975384 | |
| CY | | Date: 29.07.2016 | | Material No.: 975384 | |
| CZ | | Signature: ZhangShi | | Material No.: 975384 | |
| DA | | Date: 29.07.2016 | | Material No.: 975384 | |
| DB | | Signature: ZhangShi | | Material No.: 975384 | |
| DC | | Date: 29.07.2016 | | Material No.: 975384 | |
| DD | | Signature: ZhangShi | | Material No.: 975384 | |
| DE | | Date: 29.07.2016 | | Material No.: 975384 | |
| DF | | Signature: ZhangShi | | Material No.: 975384 | |
| DG | | Date: 29.07.2016 | | Material No.: 975384 | |
| DH | | Signature: ZhangShi | | Material No.: 975384 | |
| DI | | Date: 29.07.2016 | | Material No.: 975384 | |
| DJ | | Signature: ZhangShi | | Material No.: 975384 | |
| DK | | Date: 29.07.2016 | | Material No.: 975384 | |
| DL | | Signature: ZhangShi | | Material No.: 975384 | |
| DM | | Date: 29.07.2016 | | Material No.: 975384 | |
| DN | | Signature: ZhangShi | | Material No.: 975384 | |
| DO | | Date: 29.07.2016 | | Material No.: 975384 | |
| DP | | Signature: ZhangShi | | Material No.: 975384 | |
| DQ | | Date: 29.07.2016 | | Material No.: 975384 | |
| DR | | Signature: ZhangShi | | Material No.: 975384 | |
| DS | | Date: 29.07.2016 | | Material No.: 975384 | |
| DT | | Signature: ZhangShi | | Material No.: 975384 | |
| DU | | Date: 29.07.2016 | | Material No.: 975384 | |
| DV | | Signature: ZhangShi | | Material No.: 975384 | |
| DW | | Date: 29.07.2016 | | Material No.: 975384 | |
| DX | | Signature: ZhangShi | | Material No.: 975384 | |
| DY | | Date: 29.07.2016 | | Material No.: 975384 | |
| DZ | | Signature: ZhangShi | | Material No.: 975384 | |
| EA | | Date: 29.07.2016 | | Material No.: 975384 | |
| EB | | Signature: ZhangShi | | Material No.: 975384 | |
| EC | | Date: 29.07.2016 | | Material No.: 975384 | |
| ED | | Signature: ZhangShi | | Material No.: 975384 | |
| EE | | Date: 29.07.2016 | | Material No.: 975384 | |
| EF | | Signature: ZhangShi | | Material No.: 975384 | |
| EG | | Date: 29.07.2016 | | Material No.: 975384 | |
| EH | | Signature: ZhangShi | | Material No.: 975384 | |
| EI | | Date: 29.07.2016 | | Material No.: 975384 | |
| EJ | | Signature: ZhangShi | | Material No.: 975384 | |
| EK | | Date: 29.07.2016 | | Material No.: 975384 | |
| EL | | Signature: ZhangShi | | Material No.: 975384 | |
| EM | | Date: 29.07.2016 | | Material No.: 975384 | |
| EN | | Signature: ZhangShi | | Material No.: 975384 | |
| EO | | Date: 29.07.2016 | | Material No.: 975384 | |
| EP | | Signature: ZhangShi | | Material No.: 975384 | |
| EQ | | Date: 29.07.2016 | | Material No.: 975384 | |
| ER | | Signature: ZhangShi | | Material No.: 975384 | |
| ES | | Date: 29.07.2016 | | Material No.: 975384 | |
| ET | | Signature: ZhangShi | | Material No.: 975384 | |
| EU | | Date: 29.07.2016 | | Material No.: 975384 | |
| EV | | Signature: ZhangShi | | Material No.: 975384 | |
| EW | | Date: 29.07.2016 | | Material No.: 975384 | |
| EX | | Signature: ZhangShi | | Material No.: 975384 | |
| EY | | Date: 29.07.2016 | | Material No.: 975384 | |
| EZ | | Signature: ZhangShi | | Material No.: 975384 | |
| FA | | Date: 29.07.2016 | | Material No.: 975384 | |
| FB | | Signature: ZhangShi | | Material No.: 975384 | |
| FC | | Date: 29.07.2016 | | Material No.: 975384 | |
| FD | | Signature: ZhangShi | | Material No.: 975384 | |
| FE | | Date: 29.07.2016 | | Material No.: 975384 | |
| FF | | Signature: ZhangShi | | Material No.: 975384 | |
| FG | | Date: 29.07.2016 | | Material No.: 975384 | |
| FH | | Signature: ZhangShi | | Material No.: 975384 | |
| FI | | Date: 29.07.2016 | | Material No.: 975384 | |
| FJ | | Signature: ZhangShi | | Material No.: 975384 | |
| FK | | Date: 29.07.2016 | | Material No.: 975384 | |
| FL | | Signature: ZhangShi | | Material No.: 975384 | |
| FM | | Date: 29.07.2016 | | Material No.: 975384 | |
| FN | | Signature: ZhangShi | | Material No.: 975384 | |
| FO | | Date: 29.07.2016 | | Material No.: 975384 | |
| FP | | Signature: ZhangShi | | Material No.: 975384 | |
| FQ | | Date: 29.07.2016 | | Material No.: 975384 | |
| FR | | Signature: ZhangShi | | Material No.: 975384 | |
| FS | | Date: 29.07.2016 | | Material No.: 975384 | |
| FT | | Signature: ZhangShi | | Material No.: 975384 | |
| FU | | Date: 29.07.2016 | | Material No.: 975384 | |
| FV | | Signature: ZhangShi | | Material No.: 975384 | |
| FW | | Date: 29.07.2016 | | Material No.: 975384 | |
| FX | | Signature: ZhangShi | | Material No.: 975384 | |
| FY | | Date: 29.07.2016 | | Material No.: 975384 | |
| FZ | | Signature: ZhangShi | | Material No.: 975384 | |
| GA | | Date: 29.07.2016 | | Material No.: 975384 | |
| GB | | Signature: ZhangShi | | Material No.: 975384 | |
| GC | | Date: 29.07.2016 | | Material No.: 975384 | |
| GD | | Signature: ZhangShi | | Material No.: 975384 | |
| GE | | Date: 29.07.2016 | | Material No.: 975384 | |
| GF | | Signature: ZhangShi | | Material No.: 975384 | |
| GG | | Date: 29.07.2016 | | Material No.: 975384 | |
| GH | | Signature: ZhangShi | | Material No.: 975384 | |
| GI | | Date: 29.07.2016 | | Material No.: 975384 | |
| GJ | | Signature: ZhangShi | | Material No.: 975384 | |
| GK | | Date: 29.07.2016 | | Material No.: 975384 | |
| GL | | Signature: ZhangShi | | Material No.: 975384 | |
| GM | | Date: 29.07.2016 | | Material No.: 975384 | |
| GN | | Signature: ZhangShi | | Material No.: 975384 | |
| GO | | Date: 29.07.2016 | | Material No.: 975384 | |
| GP | | Signature: ZhangShi | | Material No.: 975384 | |
| GQ | | Date: 29.07.2016 | | Material No.: 975384 | |
| GR | | Signature: ZhangShi | | Material No.: 975384 | |
| GS | | Date: 29.07.2016 | | Material No.: 975384 | |
| GT | | Signature: ZhangShi | | Material No.: 975384 | |
| GU | | Date: 29.07.2016 | | Material No.: 975384 | |
| GV | | Signature: ZhangShi | | Material No.: 975384 | |
| GW | | Date: 29.07.2016 | | Material No.: 975384 | |
| GX | | Signature: ZhangShi | | Material No.: 975384 | |
| GY | | Date: 29.07.2016 | | Material No.: 975384 | |
| GZ | | Signature: ZhangShi | | Material No.: 97538 | |