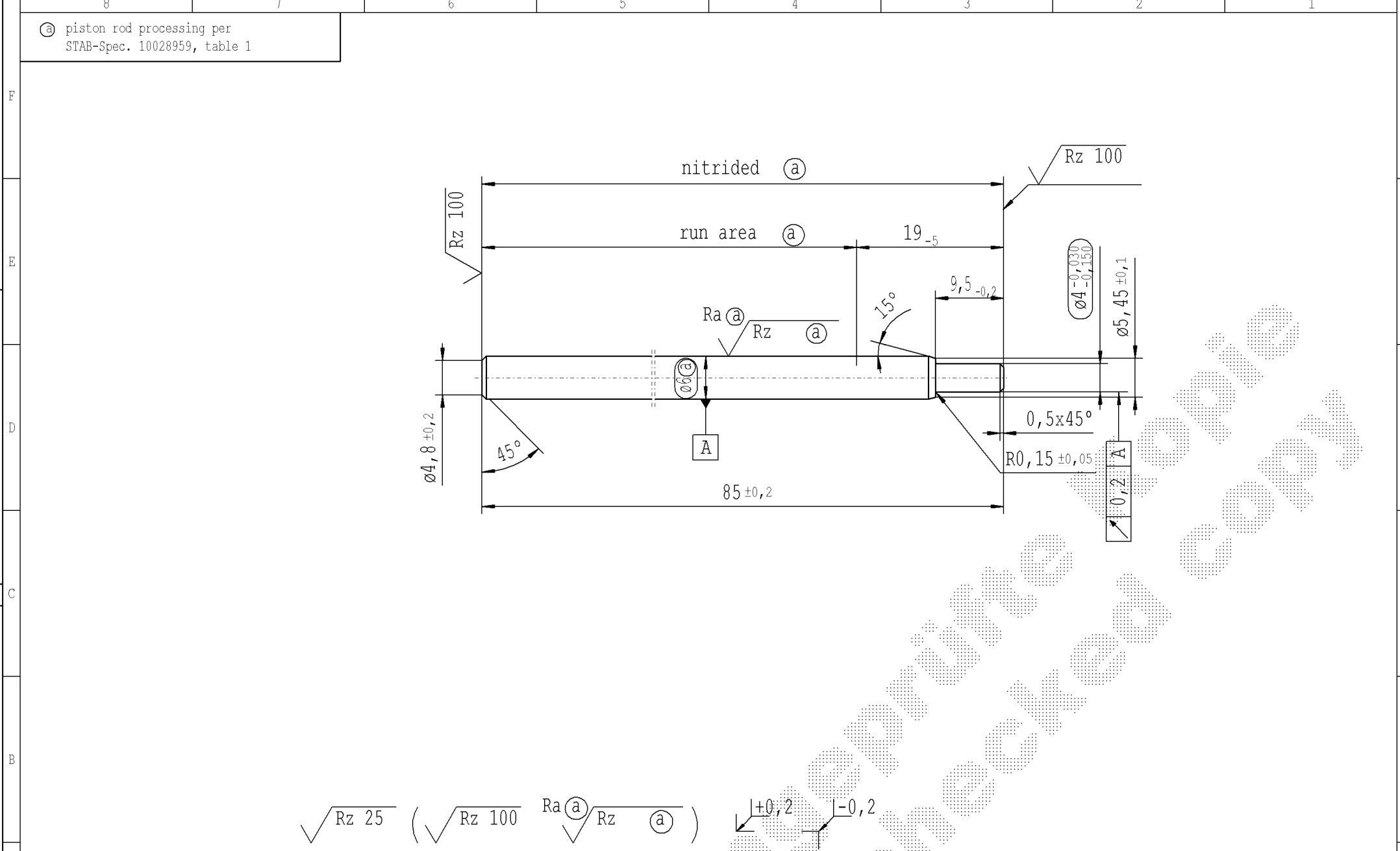


The print-out is not subject to the modification service.

Intended for internal and supplier use

EN



$\sqrt{Rz\ 25}$ ($\sqrt{Rz\ 100}$ $Ra\ \textcircled{a}$ $\sqrt{Rz\ \textcircled{a}}$) $\begin{matrix} +0,2 \\ -0,2 \end{matrix}$

AIAG CQI-standards acc. to STAB-Spec. 10027692 Environmental protection acc. to STAB-Spec. 10005649

DE: X	EN: X	ES:	IT:	PR:	FR:	RO:
new	INITIAL RELEASE					
old	-					
Field	-					
Date/Name	14.12.2016 Höfer					
Chg. No.	649840					
Rev.	0					

CAD created document; handwritten changes not permitted

RELEASE
 for supplier
 company **Zhang Shi**
 Dat. 14.12.2016 Schilz A.
(date / signature)

Material: 1.1193
 S45C JISG 4051
 Edge tolerances acc. to DIN ISO 13715
 Surface finish acc. to DIN EN ISO 1302
 Replaces:

All dimensions are in mm
 Scale: (Original DIN A3) **2:1**
 Dimensions without tolerances DIN ISO 2768-mK
 We reserve all rights to this document, to any patents or patent registrations related hereto, and to the duplication, retransmission by third parties and misc. use. Any use of this document is not permitted without the written consent of STABILUS.

Identification of important characteristics	Date	Name
Drawn by	14.12.2016	Höfer
Checked	14.12.2016	Milles
Document No.:	10154979	
Material No.:	888152	

STABILUS

PISTON ROD