

The print-out is not subject to the modification service.

Intended for internal and supplier use

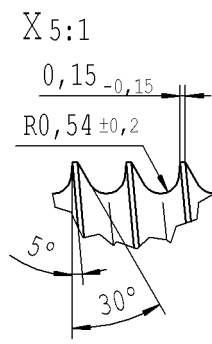
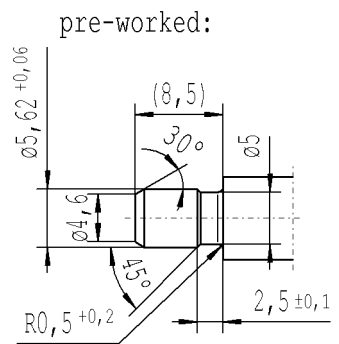
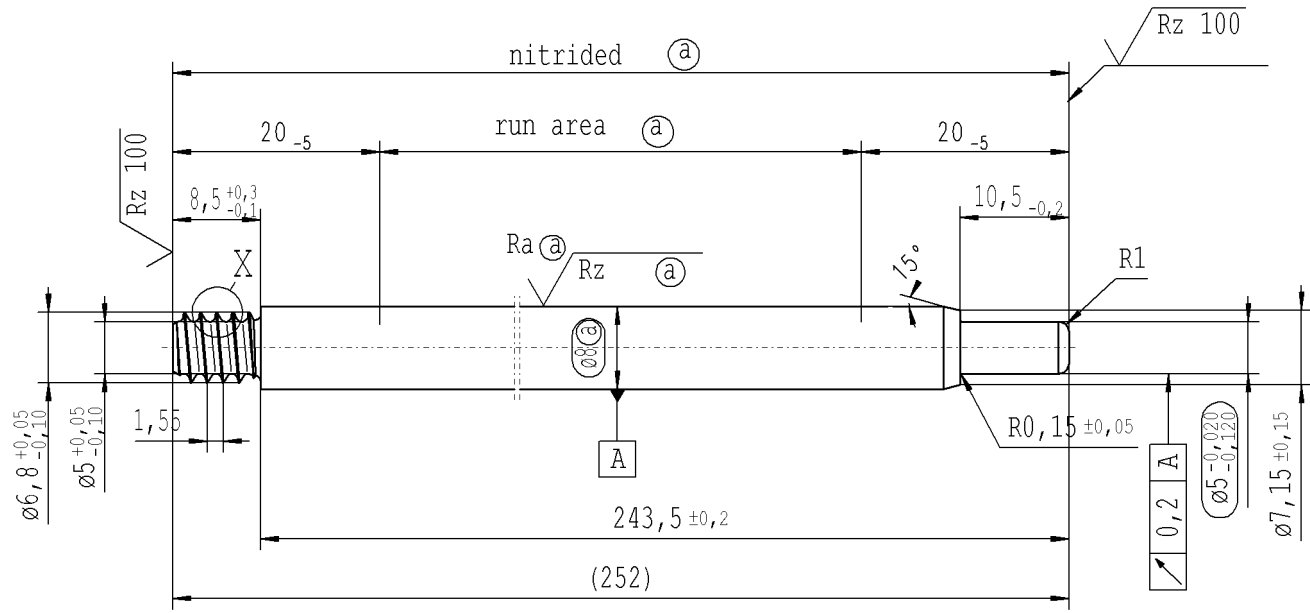
EN

B

A

Ident. Doc.: I254

ⓐ piston rod processing per STAB-Spec. 10028959, table 1



$\sqrt{Rz\ 25}$ ($\sqrt{Rz\ 100}$ $Ra\ \textcircled{a}$ $Rz\ \textcircled{a}$) $\swarrow +0,2$ $\searrow -0,2$

AIAG CQI-standards acc. to STAB-Spec. 10027692

Environmental protection acc. to STAB-Spec. 10005649

DE: X	EN: X	ES:	IT:	PR:	FR:	RO:	CAD created document; handwritten changes not permitted	
new	INITIAL RELEASE							
old	-							
Field	-							
Date/Name	29.03.2017 Jablonski							
Chg. No.	654821							
Rev.	0							

RELEASE
 for supplier
 company **Zhang Shi**
 Dat. 29.03.2017 Schilz A.
(date / signature)

Material: 1.1193
 S45C JISG 4051
 Edge tolerances acc. to DIN ISO 13715
 Surface finish DIN EN ISO 1302
 Replaces:

STABILUS

All dimensions are in mm
 Scale: (Original DIN A3) **2:1**
 Identification of important characteristics
 Dimensions without tolerances DIN ISO 2768-mK
 We reserve all rights to this document, to any patents or patent registrations related hereto, and to the duplication, retransmission by third parties and misc. use. Any use of this document is not permitted without the written consent of STABILUS.

PISTON ROD

Drawn by	Date	Name
Checked	29.03.2017	Jablonski
Document No.:	10151065	
Material No.:	368808	