

The print-out is not subject to the modification service.

Intended for internal and supplier use

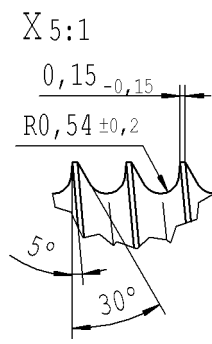
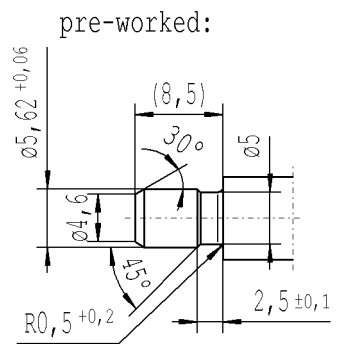
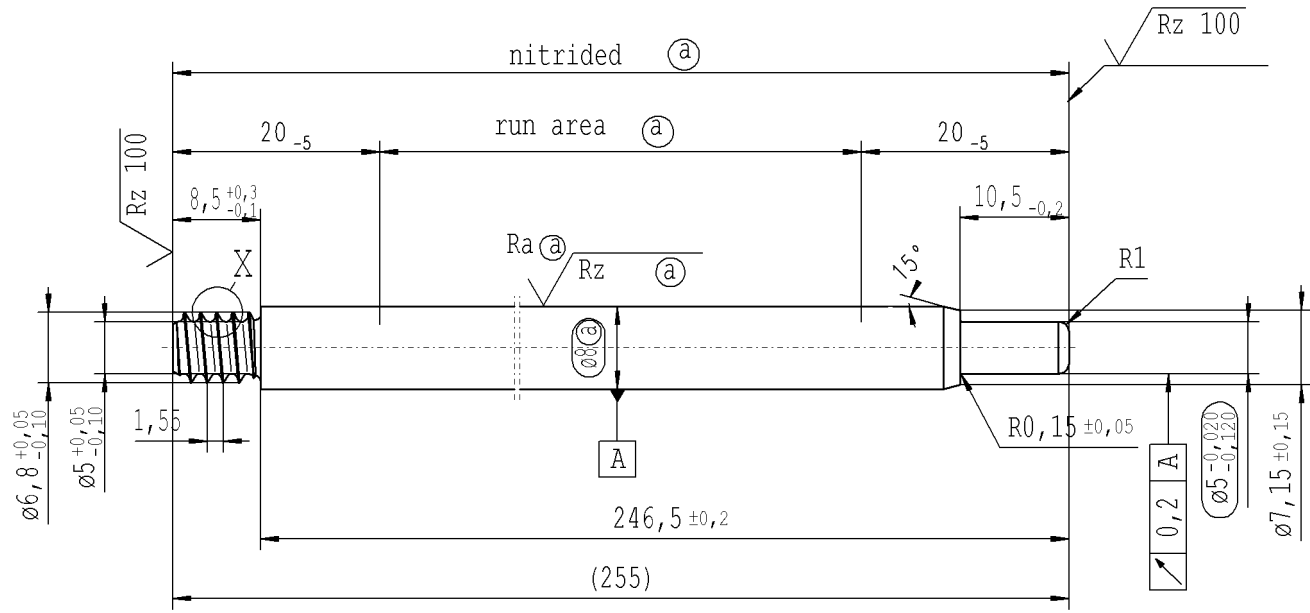
EN

B

A

Ident. Doc.: I253

ⓐ piston rod processing per STAB-Spec. 10028959, table 1



$\sqrt{Rz\ 25}$ ($\sqrt{Rz\ 100}$ $Ra\ \textcircled{a}$ $Rz\ \textcircled{a}$) $\swarrow +0,2$ $\searrow -0,2$

AIAG CQI-standards acc. to STAB-Spec. 10027692

Environmental protection acc. to STAB-Spec. 10005649

DE: X	EN: X	ES:	IT:	PR:	FR:	RO:
new	INITIAL RELEASE					
old	-					
Field	-					
Date/Name	28.03.2017 Jablonski					
Chg. No.	654821					
Rev.	0					

CRD created document; handwritten changes not permitted

Material: 1.1193
S45C JISG 4051

Edge tolerances acc. to DIN ISO 13715

Surface finish DIN EN ISO 1302

Replaces:

STABILUS

RELEASE
for supplier

company Zhang Shi

Dat. 28.03.2017 Schilz A.
(date / signature)

All dimensions are in mm	Identification of important characteristics
Scale: (Original DIN A3) 2:1	Dimensions without tolerances DIN ISO 2768-mK
We reserve all rights to this document, to any patents or patent registrations related hereto, and to the duplication, retransmission by third parties and misc. use. Any use of this document is not permitted without the written consent of STABILUS.	

Drawn by	Date	Name
Checked	28.03.2017	Jablonski
Document No.:	10151065	
Material No.:	353034	

Material No.:	353034
---------------	--------