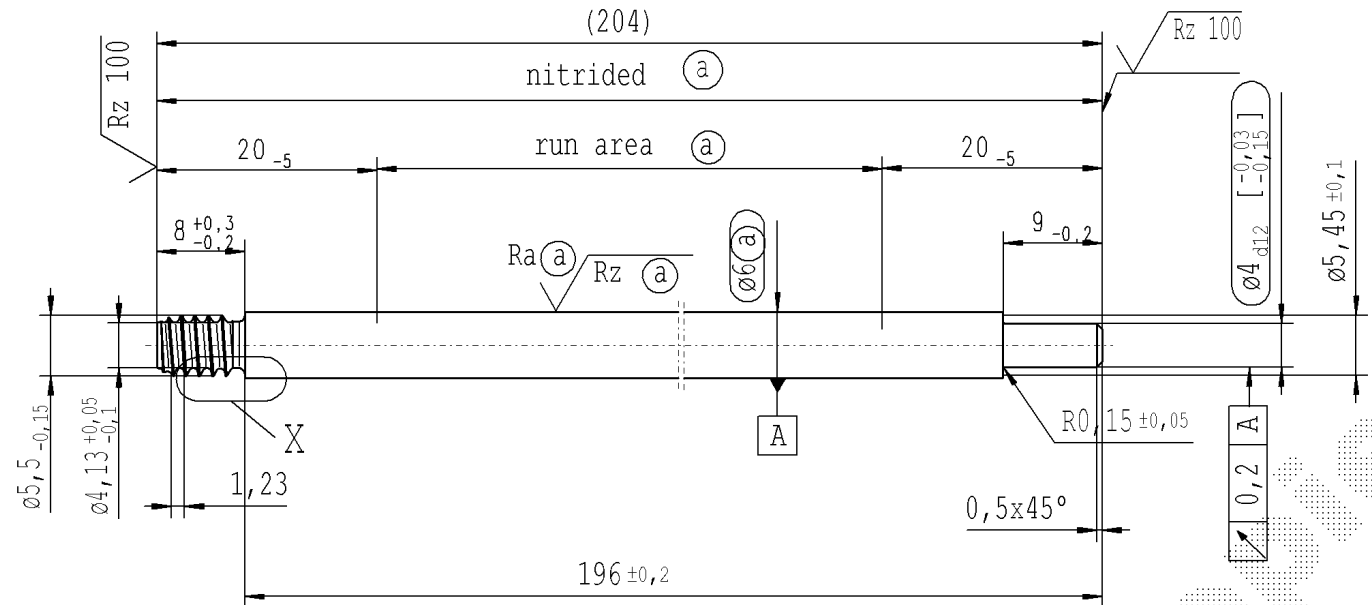


The print-out is not subject to the modification service.

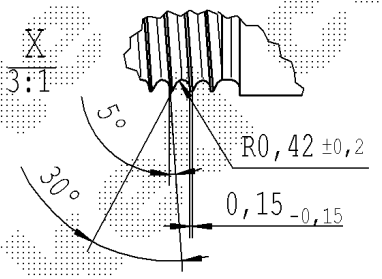
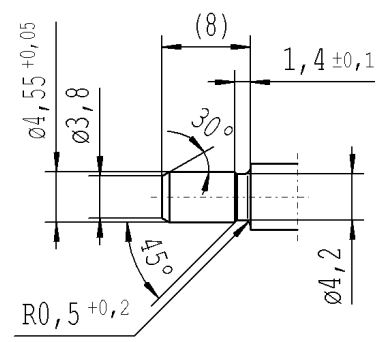
Intended for internal and supplier use

EN

Ⓐ piston rod processing per STAB-Spec. 10028959, table 1



pre-worked:



$\sqrt{Rz\ 25}$  (  $\sqrt{Rz\ 100}$   $\sqrt{Ra\ (a)}$   $\sqrt{Rz\ (a)}$  )  $\sqrt{+0,2}$   $\sqrt{-0,2}$

AIAG CQI-standards acc. to STAB-Spec. 10027692

Environmental protection acc. to STAB-Spec. 10005649

|           |                  |     |     |     |     |     |
|-----------|------------------|-----|-----|-----|-----|-----|
| DE: X     | EN: X            | ES: | IT: | PR: | FR: | RO: |
| new       | INITIAL RELEASE  |     |     |     |     |     |
| old       | -                |     |     |     |     |     |
| Field     | -                |     |     |     |     |     |
| Date/Name | 27.06.2017 Höfer |     |     |     |     |     |
| Chg. No.  | 658828           |     |     |     |     |     |
| Rev.      | 0                |     |     |     |     |     |

CAD created document; handwritten changes not permitted

Material: 1.1193  
S45C JISG 4051

Edge tolerances acc. to DIN ISO 13715  
Surface finish acc. to DIN EN ISO 1302

Replaces:

**RELEASE**  
for supplier

company ZhangShi

Dat. 27.06.2017 Schilz A.  
(date / signature)

**STABILUS**

All dimensions are in mm

Scale: (Original DIN A3) **2:1**

Identification of important characteristics

Dimensions without tolerances DIN ISO 2768-mK

We reserve all rights to this document, to any patents or patent registrations related hereto, and to the duplication, retransmission by third parties and misc. use. Any use of this document is not permitted without the written consent of STABILUS.

Document No.: **10177465**

Material No.: **398684**

**PISTON ROD**

|         |            |        |       |
|---------|------------|--------|-------|
| Date    | 27.06.2017 | Name   | Höfer |
| Checked | 27.06.2017 | Milles |       |