

The print-out is not subject to the modification service.

Intended for internal and supplier use

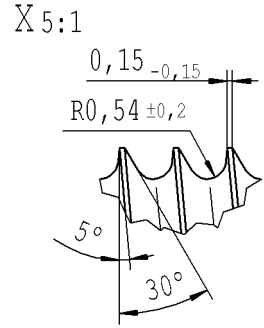
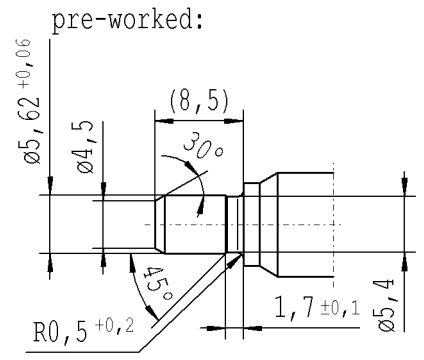
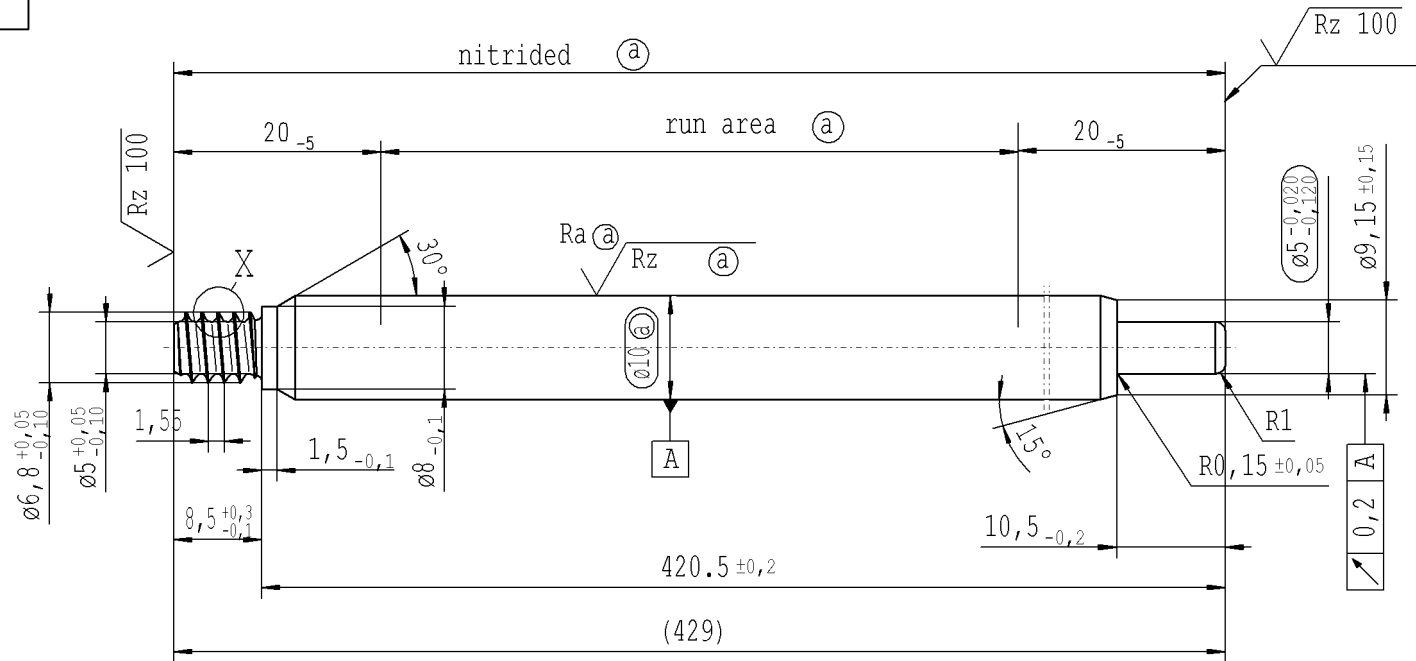
EN

B

A

Ident. Doc.: L74

ⓐ piston rod processing per STAB-Spec. 10028959, table 1



√ Rz 25 (√ Rz 100 Ra ⓐ Rz ⓐ) ↙ +0,2 ↘ -0,2

AIAG CQI-standards acc. to STAB-Spec. 10027692

Environmental protection acc. to STAB-Spec. 10005649

DE: X	EN: X	ES:	IT:	PR:	FR:	RO:	CAD created document; handwritten changes not permitted	
new	INITIAL RELEASE							
old	-							
Field	-							
Date/Name	18.10.2017 Höfer							
Chg. No.	662518							
Rev.	0							

RELEASE
for supplier

company ZhangShi

Dat. 18.10.2017 Schilz A.
(date / signature)

Material: 1.1193
S45C JISG 4051

Edge tolerances acc. to DIN ISO 13715

Surface finish DIN EN ISO 1302

Replaces:

STABILUS

All dimensions are in mm

Scale: (Original DIN A3) **2:1**

Identification of important characteristics

Dimensions without tolerances DIN ISO 2768 mK

We reserve all rights to this document, to any patents or patent registrations related hereto, and to the duplication, retransmission by third parties and misc. use. Any use of this document is not permitted without the written consent of STABILUS.

PISTON ROD

Drawn by	Date	Name
Checked	18.10.2017	Höfer
	18.10.2017	Milles
Document No.:	10151520	
Material No.:	282531	