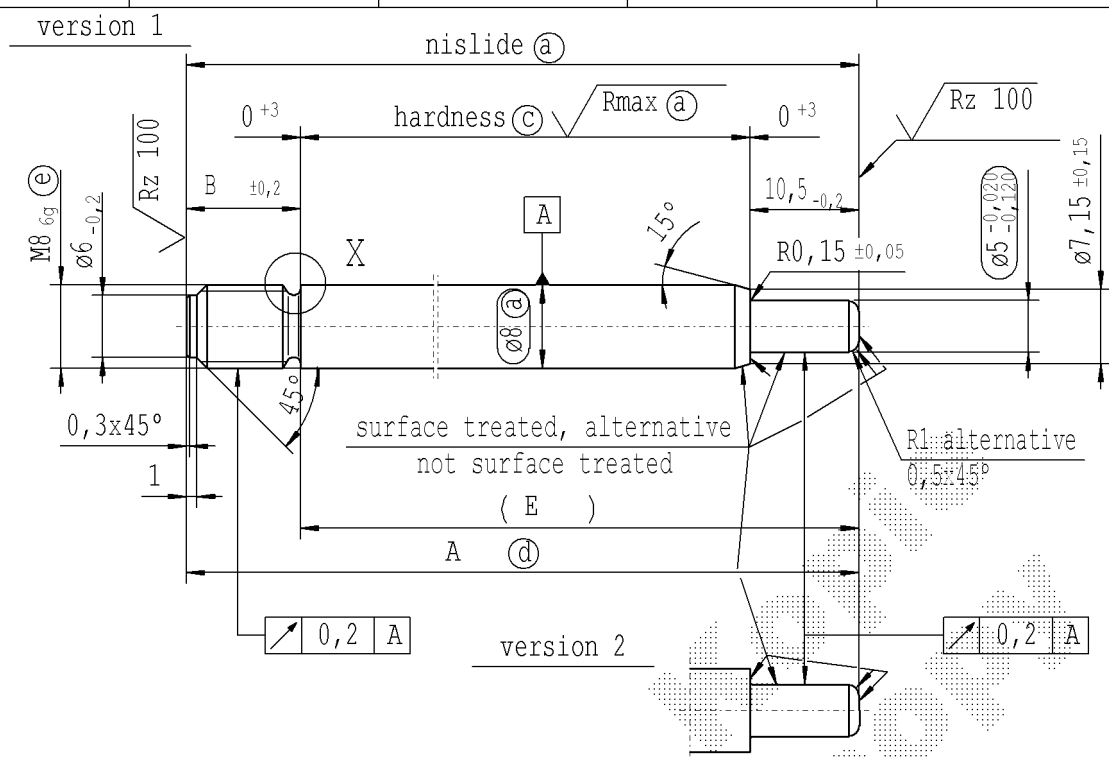


CONFIDENTIAL!  
Intended for internal use only

supp. No.	material no.	A	B	E	F	
surface treatment processing acc. STAB-Spec.			overall length	stud length end-fitting side	length without end-fitting stud	version
10006248 Tab. IV	10006248 Tab. X	10028959 Tab. I China pay part				
1	006926	006926	237.0	10	227.0	1
2	702911	702911	243.0	10	233.0	1
3	704345	704345	276.0	10	266.0	1
4	913479	913479	239.5	11	228.5	1
5	988771	988771	267.0	9	258.0	1
xx	xxxxxx	264.0	10	254.0	1	

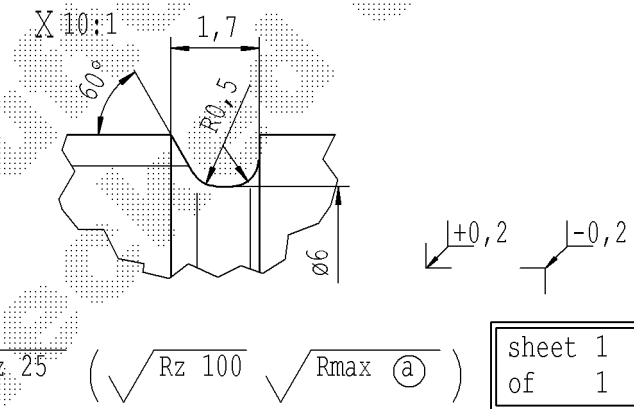


**Production Stabilus**

- (a) piston rod processing acc. to STAB-Spec. 10006248
- (c) RHT 0,4..0,7 mm before grinding, ≥ 68 HRA (acc. to DIN ISO 6508);
- (d) tolerances:  $\pm 0,2$  after turning;  $\pm 0,1$  after straightening;  $\pm 0,3$  after nisliding
- (e) threaded stud pre-turned dimension  $\varnothing 7,14_{-0,06}$  thread roll tolerance 6e thread tolerances acc. to DIN ISO 965-3

for pay part China product family: 2008/0034 approved lengths: 100-600 mm

Pay part China acc separate Supplier-drawing



sheet 1 of 1

Environmental protection acc. to STAB-Spec. 10005649

Ident. Doc.: 9/1/2017 - 7:32

DE: X	EN: X	ES:	IT:	PR:	FR:	RO:	CAD created document; handwritten changes not permitted			Material:	All dimensions are in mm	Identification of important characteristics	Drawn by	Date	Name
new	text: product family ...	R1 alternative 0,5x45°	column Tab.X	column B	approved lengths: 100-600mm				mat.no.: 010731	Scale: (Original DIN A3) 2:1	Dimensions without tolerances DIN ISO 2768 mK	Checked	17.01.2008	Höfer	
old	-; dimension B+dimension C	0,5x45°	-	-	approved lengths: 100-400mm				Edge tolerances acc. to DIN ISO 13715				25.11.2015	Klinkner	
Field	C/D5/6; A-F/7/8	E/1	A-F/7-8	A-F/6	B/6				Surface finish DIN-EN-ISO 1302	We reserve all rights to this document, to any patents or patent registrations related hereto, and to the duplication, rettransmission by third parties and misc. use. Any use of this document is not permitted without the written consent of STABILUS.			Document No.:	10152007	
Date/Name	15.04.2008 Hein	30.04.2009 Hein	30.07.2010 Höfer	10.03.2015 Höfer	24.11.2015 Hein				Replaces:				Material No.:		
Chg. No.	564472	572540	581955	622053	630576				<b>STABILUS</b>	<b>PISTON ROD</b>					
Rev.	1	2	3	4	5										