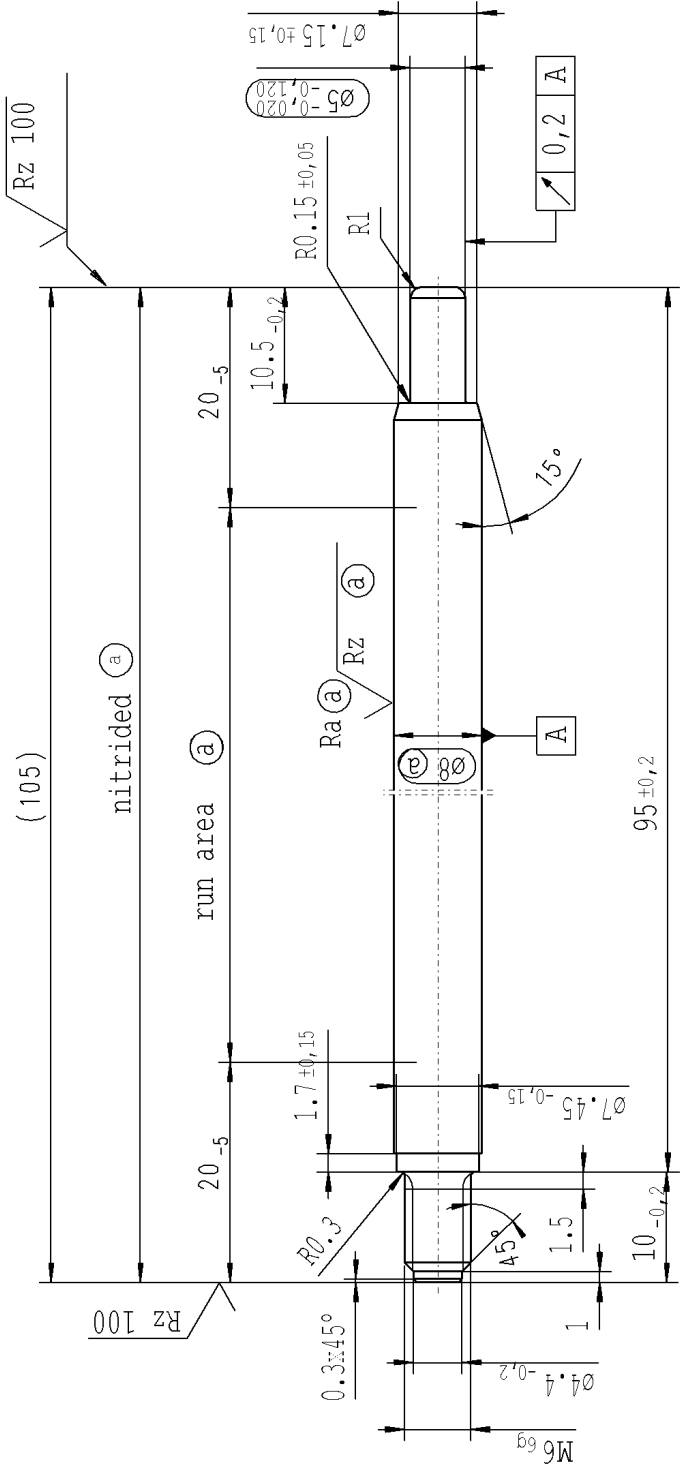


Ⓐ piston rod processing per STAB-Spec. 10028959, table 1



thread tolerances acc. to DIN ISO 965-3

$\sqrt{Rz 25}$  ( $\sqrt{Rz 100}$   $\sqrt{Rz (a)}$ )  $\sqrt{+0,2}$   $\sqrt{-0,2}$

A		AIAG CQI-standards acc. to STAB-Spec. 10027692		Environmental protection acc. to STAB-Spec. 10005649	
DE: X	EN: X	ES: -	IT: -	PR: -	RO: -
CAD created document; handwritten changes not permitted					
Material: 1.1193		S45C JISG 4051		All dimensions are in mm	
Edge tolerances acc. to DIN ISO 13715		Surface finish DIN EN ISO 1302		Scale: (Original DIN A3) 2:1	
Replaces:		Replaces:		Identification of important characteristics	
company Zhang Shi		company Zhang Shi		Dimensions without tolerances	
Date/Name 12.05.2016 Höfer		Date/Name 12.05.2016 Höfer		DIN ISO 2768-mK	
Chg. No. 638056		Chg. No. 638056		We reserve all rights to this document, to any patents or patent registrations related hereto, and to the duplication, retransmission by third parties and misc. use. Any use of this document is not permitted without the written consent of STABILUS.	
Rev. 0		Rev. 0		Document No.: 10231900	
Ident. Doc.: 107		Ident. Doc.: 107		Material No.: 137213	
EN		EN		PISTON ROD	
Intended for internal and supplier use		Intended for internal and supplier use		STABILUS	
The print-out is not subject to the modification service.		The print-out is not subject to the modification service.		***** Druckdatum: 5/13/2016 / 10:53:43 AM ***** Ausdruck nicht masszetzen *****	