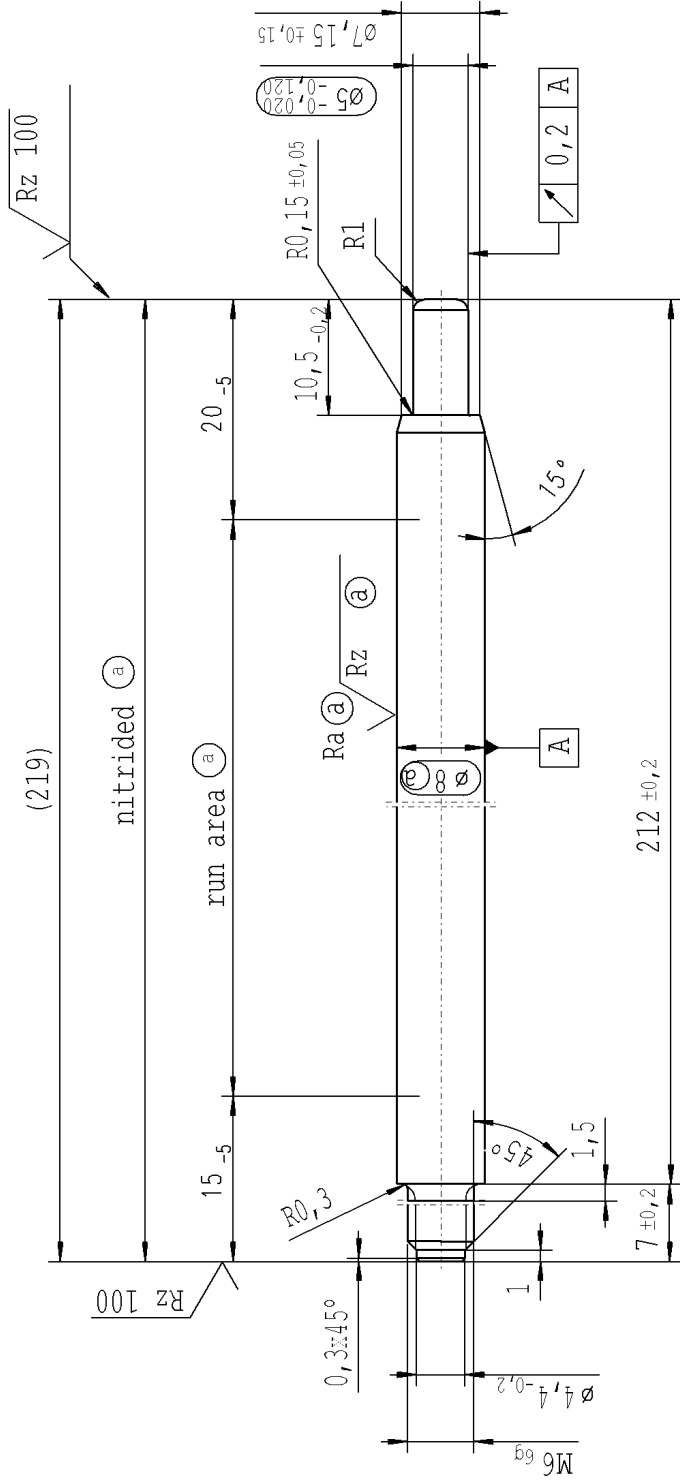


Ⓐ piston rod processing per STAB-Spec. 10028959, table 1



thread tolerances acc. to DIN ISO 965-3

√ Rz 25 (√ Rz 100 Ra Ⓐ Rz Ⓐ) | +0,2 | -0,2

A		AIAG CQI-standards acc. to STAB-Spec. 10027692		Environmental protection acc. to STAB-Spec. 10005649	
DE: X	EN: X	ES: X	IT: X	PR: X	FR: X
new	INITIAL RELEASE	-	-	-	-
old	-	-	-	-	-
Field	-	-	-	-	-
Date/Name	21.01.2016 Höfer	Material: 1.1193 S45C JISG 4051			
Chg. No.	632804	Edge tolerances acc. to DIN ISO 13715			
Rev.	0	Surface finish: DIN EN ISO 1302			
Ident. Doc.: L24		RELEASE for supplier		Zhang Shi	
Intended for internal and supplier use		company		Dat. 21.01.2016 Schilz A.	
The print-out is not subject to the modification service.		for supplier		(date / signature)	
EN		STABILUS		PISTON ROD	
Material No.: 10151863		Material No.: 364739		Material No.: 10151863	
Document No.: 10151863		Material No.: 364739		Material No.: 10151863	
Checked: 21.01.2016 Müller		Material No.: 364739		Material No.: 10151863	
Drawn by: 21.01.2016 Kieverhagen		Material No.: 364739		Material No.: 10151863	
Date: 21.01.2016 Müller		Material No.: 364739		Material No.: 10151863	
Name: Müller		Material No.: 364739		Material No.: 10151863	