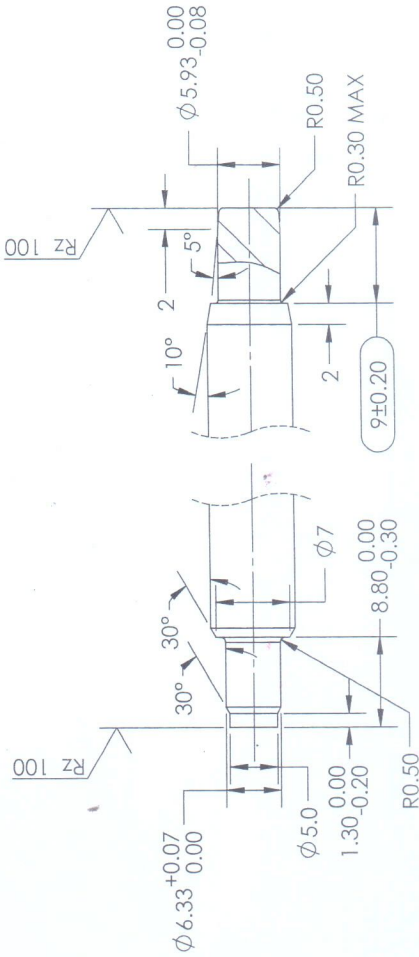
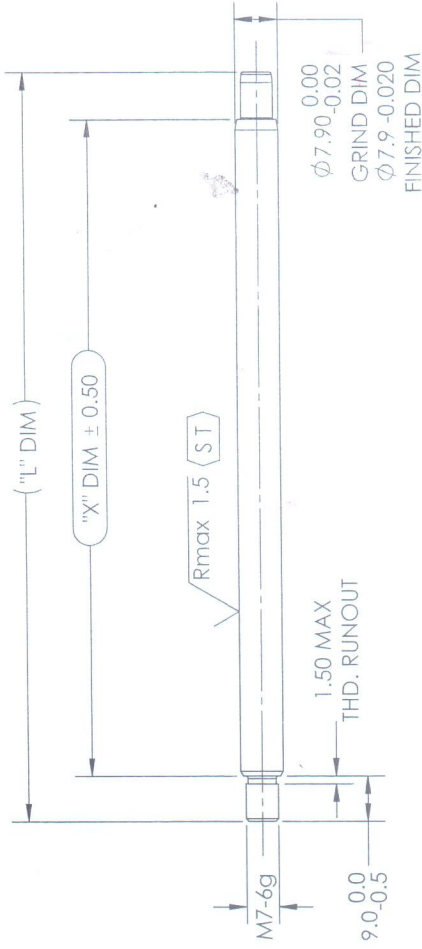


THE INFORMATION CONTAINED IN THIS DRAWING IS THE SOLE PROPERTY OF SUSPA INCORPORATED. ANY REPRODUCTION IN PART OR AS A WHOLE WITHOUT THE WRITTEN PERMISSION OF SUSPA INCORPORATED IS PROHIBITED.



NOTES:

1. MUST BE CLEAN, FREE OF DEBRIS AND FREE OF BURRS.
2. NO IMPERFECTIONS ALLOWED IN AXIAL OR RADIAL DIRECTIONS.
3. (ST) = CRITICAL CHARACTERISTIC.
4. SALT BATH NITROCARBURIZED. CORROSION RESISTANCE TO BE 144HRS MIN W/O RED RUST ACCORDING TO ASTM B117 IN "X" DIM AREA ONLY



**CONTROLLED
MUST BE BLUE INK**

**DO NOT MANUFACTURE TO THIS DRAWING
UNLESS IT IS MARKED "CONTROLLED"**

DO NOT SCALE THIS DRAWING
DIMENSIONS ARE IN MILLIMETERS
TOLERANCES UNLESS OTHERWISE SPECIFIED
ONE PLACE DECIMAL +/-0.2
ANGULAR +/-2°
TWO PLACE DECIMAL +/-0.1

DRAWN BY RTA DATE 6/07/2018 SCALE 1:1

SHEET: 1 OF 2

REV	ECN	REVISIONS	CHANGED BY	DATE (MM/DD/YY)
		RELEASED		RTA 7/2/15
DESCRIPTION				
8.0mm PISTON ROD, M7				
MATERIAL				
C45 (DIN EN 10250-2)				
DRAWING NUMBER				
G51-0006				
DRAWING SIZE				
B				

SUSPA
INCORPORATED
3970 Roger B. Chaffee S.E.
Grand Rapids, Michigan 49548-3497
www.suspa-inc.com