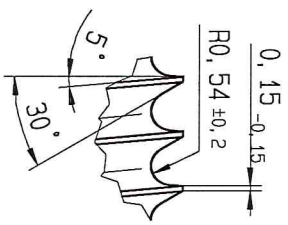
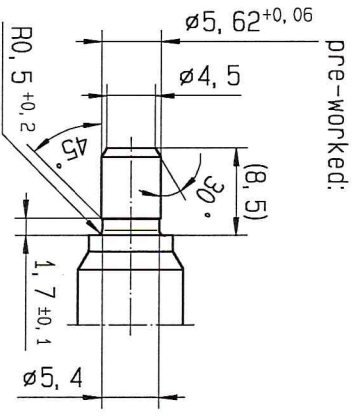
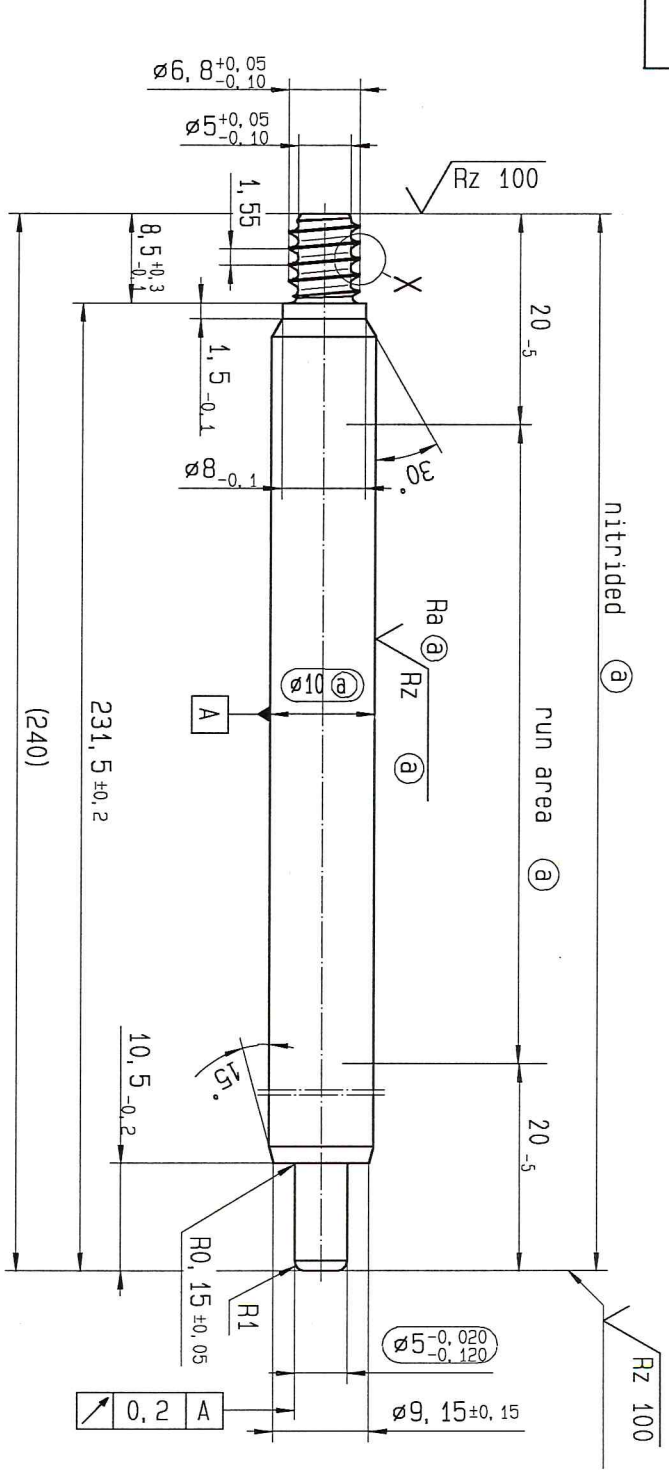


Ident. Doc.: L49

ⓐ piston rod processing per STAB-Spec. 10028959, table 1



√ Rz 25 (√ Rz 100 Ra 0.2 Rz 0.2)

RELEASE
for supplier
COMPANY Zhdangshi
07.01.2016 Schmalz A.
(date / signature)

DE: X	EN: X	ES:	IT:	PR:	FR:	RD:	CAD created document; handwritten changes not permitted		Material: 1.1193	All dimensions are in mm		Identification of important characteristics	Drawn by: 07.01.2016	Checked: 07.01.2016	Date: 07.01.2016	Stamp: HOFER
new	INITIAL RELEASE							S45C JISG 4051	Scale: 2:1	Dimensions without tolerances	Environmental protection acc. to STAB-Spec. 10005649	Document No.: 10151520				
Field								Edge tolerances acc. to DIN ISO 13715	Scale: 2:1	Dimensions without tolerances	Environmental protection acc. to STAB-Spec. 10027692	Document No.: 10151520				
Date/Name	07.01.2016	Höfer						Surface finish DIN EN ISO 1302	Scale: 2:1	Dimensions without tolerances	Material: 1.1193	Document No.: 10151520				
Eng. No.	631930							Replaces:	Scale: 2:1	Dimensions without tolerances	Material: 1.1193	Document No.: 10151520				
Rev.	0								Scale: 2:1	Dimensions without tolerances	Material: 1.1193	Document No.: 10151520				

STABILUS

PISTON ROD

Material No.: 216559