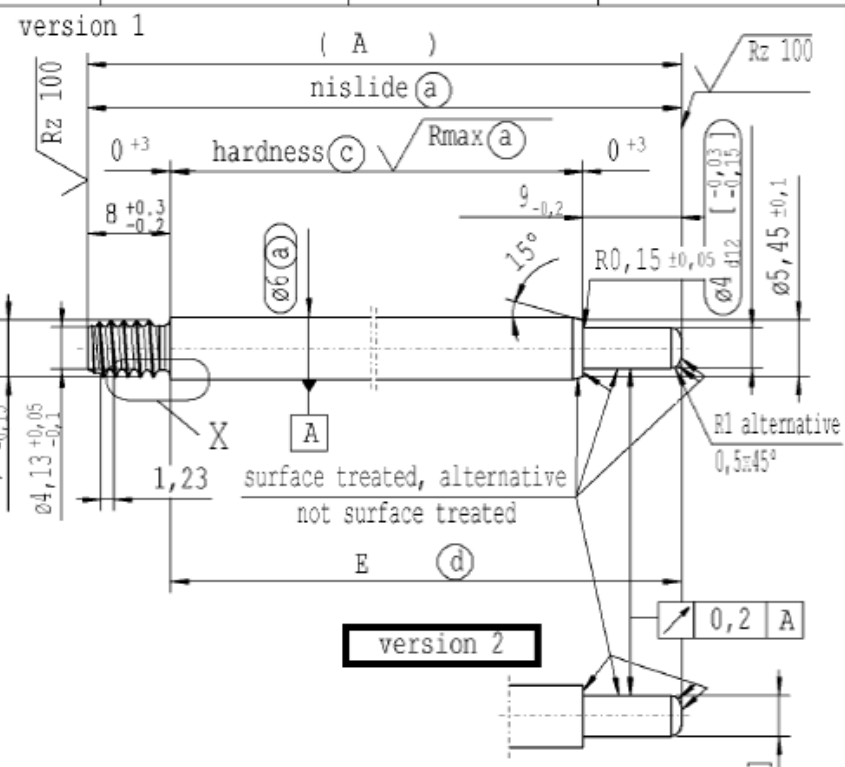
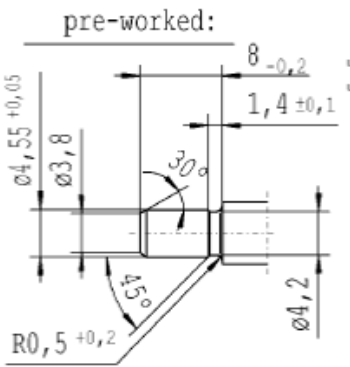
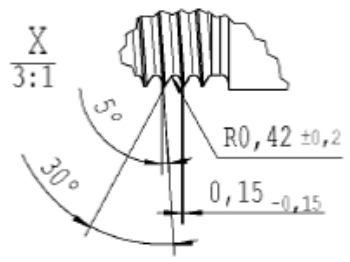


CONFIDENTIAL! Intended for internal use only

supp. No.	material no.			A overall length	E length without endfitting stud	F version
	surface treatment processing acc. to STAB-Spec.					
	10006248 Tab. IV	10006248 Tab. X	10028959 Tab.I China pay part			
1	445739		445739	243	235	2
2	248341	248341	248341	207	199	2
3	349199	349199	349199	171	163	2
4	147724	147724	147724	108	100	2
5	375495	375495	375495	216	208	2
6	789920	789920	789920	177	169	2
7	903447	903447	903447	119	111	2
8	398684	398684	398684	204	196	2
9	978737	978737	978737	168	160	2

xx xxxxxx xxxxxx xxxxxx 225 217 2



Production Stabilus

- (a) piston rod processing acc. to STAB-Spec. 10006248
- (c) RHT 0,4..0,7 mm before grinding, > 68 HRA (acc. to DIN ISO 6508);
- (d) tolerances: $\pm 0,2$ after turning;
 $\pm 0,2$ after straightening;
 $\pm 0,2$ after nisliding

for pay part China product family: 2011/0023 approved lengths: 80-600 mm

Pay part China acc separate Supplier-drawing

$\sqrt{Rz 25}$ ($\sqrt{Rz 100}$ \sqrt{Rmax} (a))

sheet 1 of 1

Environmental protection acc. to STAB-Spec. 10005649

DE: X	EN: X	ES:	IT:	PR:	FR:	RO:	CAD created document; handwritten changes not permitted	
new	INITIAL RELEASE	product family:2011/0023; approved lengths:80-300mm		approved lengths: 80-600mm				
old	-	product family:****/xxxx; approved lengths:80-xxxx		approved lengths: 80-300mm				
Field	-	B-C/2-3		B/3-4				
Date/Name	29.11.2010 Hifer		31.05.2011 Hein		24.11.2015 Hein			
Chg. No.	-		588927		630576			
Rev.	1		1		2			

Material: mat.no. 010707
Edge tolerances acc. to DIN ISO 13715
Surface finish DIN EN ISO 1342
Replaces: **STABILUS**

All dimensions are in mm
Scale: (Original DIN A3) 2:1
Identification of important characteristics
Dimensions without tolerances
DIN ISO 2768 mK
We reserve all rights to this document, to any patents or patent registrations related hereto, and to the duplication, retransmission by third parties and sim. use. Any use of this document is not permitted without the written consent of STABILUS.
PISTON ROD

Drawn by	Date	Name
Checked	29.11.2010	Hifer
	25.11.2015	Winkner
Document No.:	10177465	
Material No.:		

