

The print-out is not subject to the modification service.

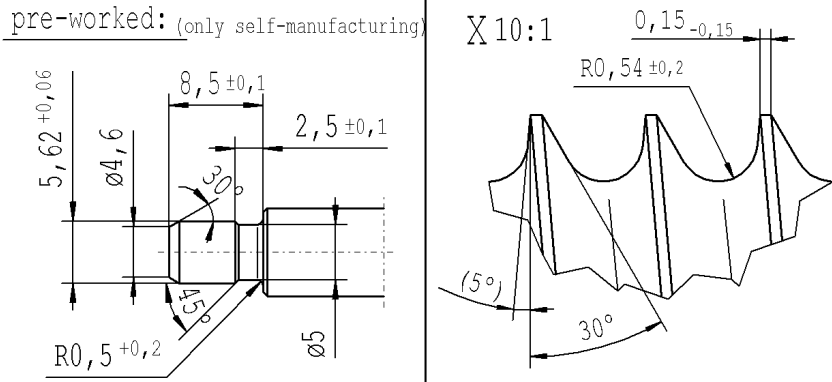
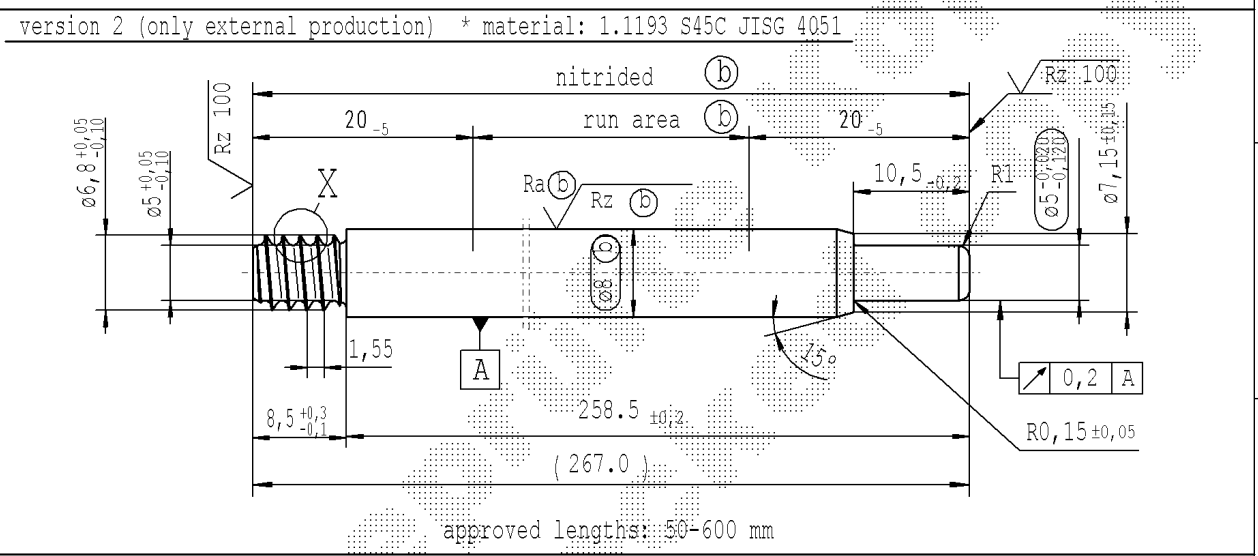
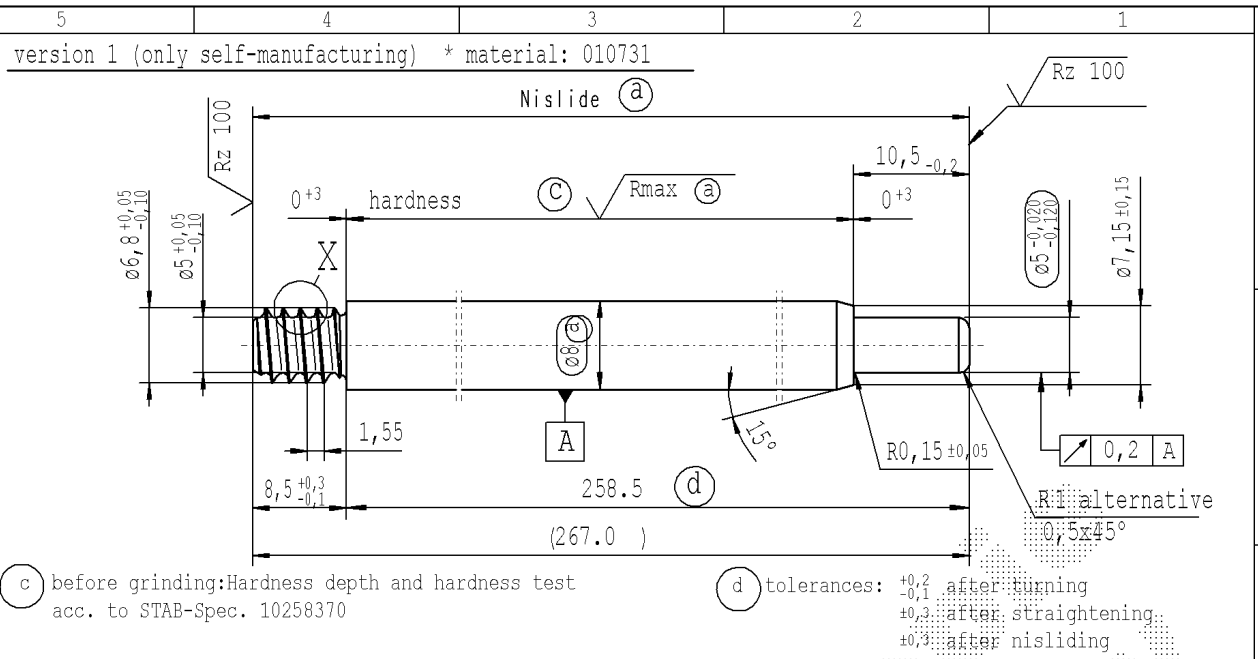
Intended for internal and supplier use

EN

Ident. Doc.:

Date: 22/02/2021 - 13:0

supp No.	material no.		A	E
	processing and surface treatment acc. to STAB-Spec.		overall length	length without endfitting stud
	10006248 Tab.XVI (a) version 1	10028959 Tab. I (b) version 2		
1	368808	368808	252.0	243.5
2	349210	349210	241.0	232.5
3	351122	351122	111.0	102.5
4	352556	352556	264.0	255.5
5	384343	384343	246.0	237.5
6	951256	951256	265.5	257.0
7	951495	951495	453.0	444.5
8	951734	951734	163.0	154.5
9	951973	951973	304.0	295.5
10	952690	952690	219.0	210.5
11	952929	952929	378.0	369.5
12	953168	953168	324.0	315.5
13	953646	953646	267.0	258.5
14	953885	953885	144.0	135.5
15	954124	954124	294.0	285.5
16	954363	954363	210.0	201.5
17	954602	954602	189.0	180.5
18	913975	913975	168.0	159.5
19	577704	577704	105.0	96.5



AIAG CQI-standards acc. to STAB-Spec. 10027692			Environmental protection acc. to STAB-Spec. 10005649										
DE: X	EN: X	ES:	IT:	PR: X	FR:	RO: X	CAD created document handwritten changes not permitted	Material: *	All dimensions are in mm	Marking of special characteristics according to STAB-Spec. 10270932	Date	Name	
new	±0,2 no technical change, no new first sample required		(5°) no technical change, no new first sample required					Edge tolerances acc. to DIN ISO 13715	Scale: (Original DIN A3) 2:1	Dimensions without tolerances DIN ISO 2768-mK	Drawn by	30.03.2017	yamuelled
old			5°					Surface finish acc. to DIN EN ISO 1302			Checked	08.04.2021	Klinkner
Field	B/3		B/6-7					Replaces:			Document No.: 10243257		
Date/Name	03.02.2021 Hein		08.04.2021 Hein									Material No.:	
Chg. No.	694938		696948										
Rev.	5		5										

STABILUS

PISTON ROD

sheet 1 of 6