

The print-out is not subject to the modification service.

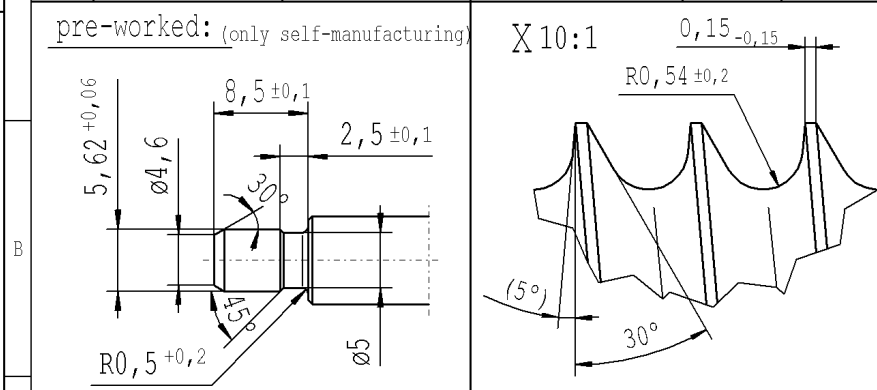
Intended for internal and supplier use

EN

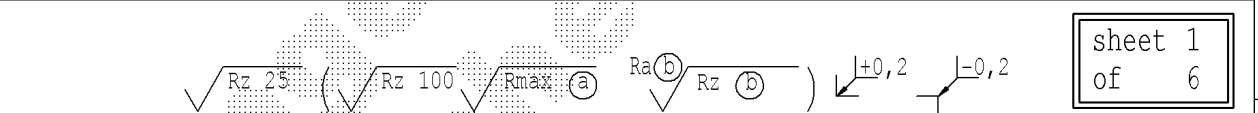
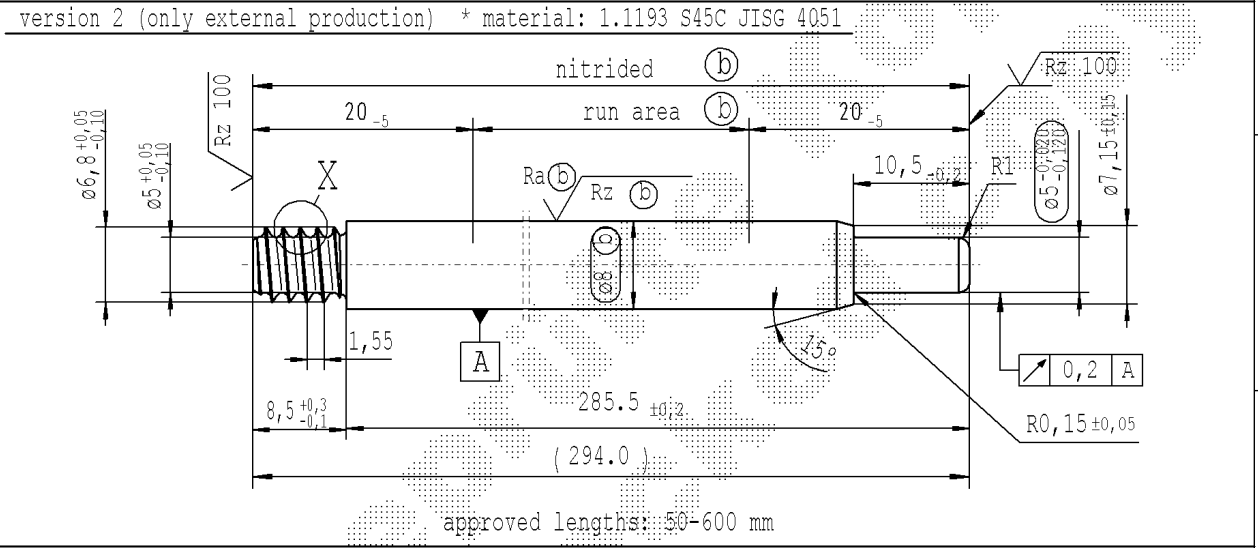
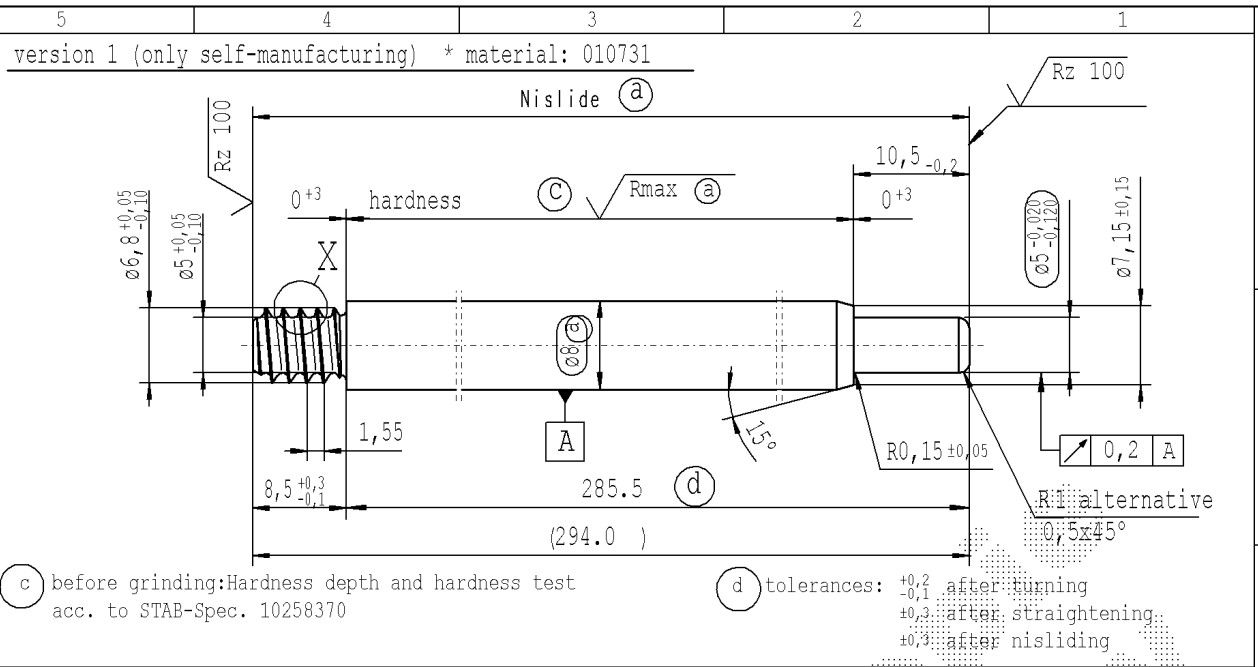
Ident. Doc.:

Date: 22/02/2021 - 13:0

supp No.	material no. (a) 10006248 Tab. XVI version 1	material no. (b) 10028959 Tab. I version 2	A overall length	E length without endfitting stud
1	368808	368808	252.0	243.5
2	349210	349210	241.0	232.5
3	351122	351122	111.0	102.5
4	352556	352556	264.0	255.5
5	384343	384343	246.0	237.5
6	951256	951256	265.5	257.0
7	951495	951495	453.0	444.5
8	951734	951734	163.0	154.5
9	951973	951973	304.0	295.5
10	952690	952690	219.0	210.5
11	952929	952929	378.0	369.5
12	953168	953168	324.0	315.5
13	953646	953646	267.0	258.5
14	953885	953885	144.0	135.5
15	954124	954124	294.0	285.5
16	954363	954363	210.0	201.5
17	954602	954602	189.0	180.5
18	913975	913975	168.0	159.5
19	577704	577704	105.0	96.5



DE: X	EN: X	ES:	IT:	PR: X	FR:	RO: X	CAD created document handwritten changes not permitted
new	±0,2 no technical change, no new first sample required		(5°) no technical change, no new first sample required				
old			5°				
Field	B/3		B/6-7				
Date/Name	03.02.2021 Hein		08.04.2021 Hein				
Chg. No.	694938		696948				
Rev.	5		5				



Material: *	All dimensions are in mm	Marking of special characteristics according to STAB-Spec. 10270932	Date	Name
Edge tolerances acc. to DIN ISO 13715	Scale: (Original DIN A3) 2:1	Dimensions without tolerances DIN ISO 2768-mK	Drawn by	30.03.2017 yamuelled
Surface Finish: DIN EN ISO 1302	We reserve all rights to this document, to any patents or patent registrations related hereto, and to the duplication, retransmission by third parties and misc. use. Any use of this document is not permitted without the written consent of STABILUS.		Checked	08.04.2021 Klinkner
Replaces:	Document No.:		10243257	
STABILUS	PISTON ROD		Material No.:	