

The print-out is not subject to the modification service.

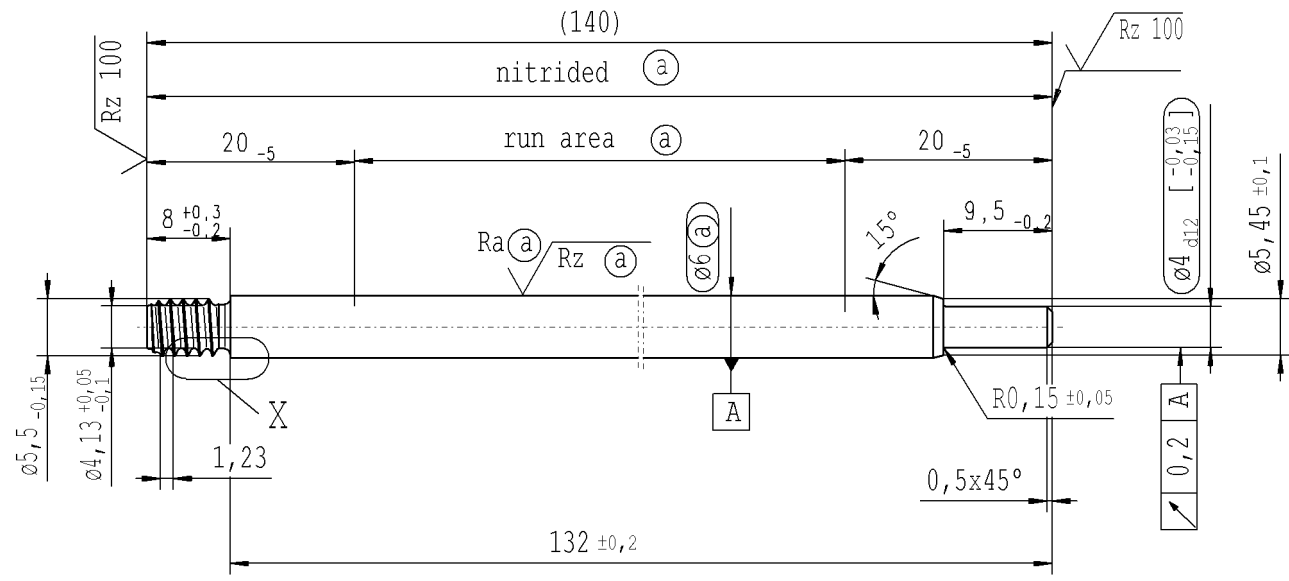
Intended for internal and supplier use

EN

B

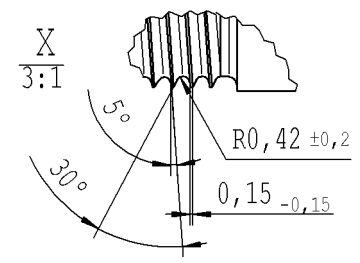
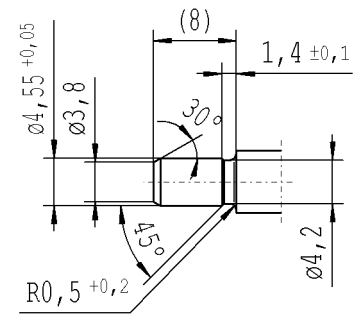
Ident. Doc.:

Ⓐ piston rod processing per STAB-Spec. 10028959, table 1



RELEASE  
for supplier  
company Zhang Shi

pre-worked:



$\sqrt{Rz\ 25}$  (  $\sqrt{Rz\ 100}$   $Ra\ \textcircled{a}$   $Rz\ \textcircled{a}$  )  $\swarrow +0,2$   $\searrow -0,2$

Environmental protection acc. to STAB-Spec. 10005649

DE: X	EN: X	ES:	IT:	PR:	FR:	RO:	CAD created document; handwritten changes not permitted	Material: 1.1193 S45C JISG 4051	All dimensions are in mm	Identification of important characteristics	Date	Name
new	INITIAL RELEASE		run area								11.05.2009	Hein
old	-		hardness								28.07.2010	Klinkner
Field	-		F/4,5					Edge tolerances acc. to DIN ISO 13715	Scale: (Original DIN A3) 2:1	Dimensions without tolerances DIN ISO 2768-mK	Document No.:	
Date/Name	11.05.2009 Hein		28.07.2010 Geisbüsch				Surface finish DIN EN ISO 1302	Replaces:	We reserve all rights to this document, to any patents or patent registrations related hereto, and to the duplication, retransmission by third parties and misc. use. Any use of this document is not permitted without the written consent of STABILUS.			10151336
Chg. No.	-		581797									Material No.:
Rev.	0		1					<b>STABILUS</b>	<b>PISTON ROD</b>			