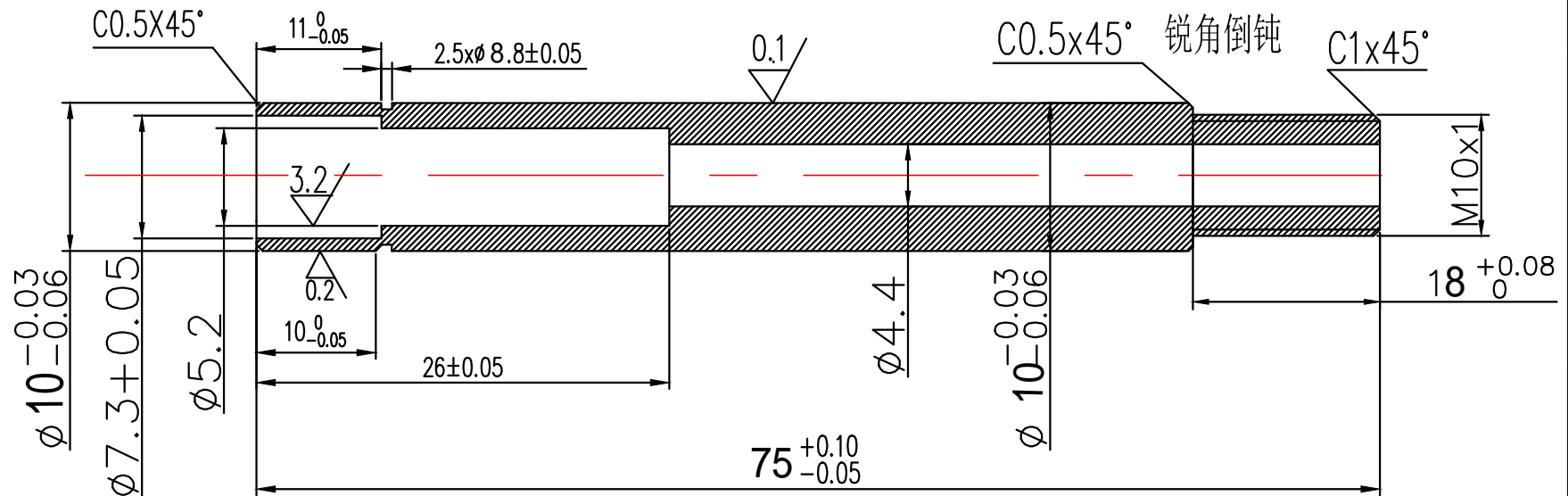


A B C D E F



技术要求

1. 未注倒角处均为 $C0.5 \times 45^\circ$
2. 活塞杆表面QPQ处理; 表面光洁, 无划伤, 色泽均匀, 无明显的花斑, 附着沉淀物;
3. 盐雾试验不低于144h, 粗糙度 $Ra < 0.1$;
4. 硬度430HV-0.1min

CN

4

4

Date/Name Change No Revision			All dimensions are in mm	Identification of important characteristics
			Scale: (Original DIN A4) 1:1	Dimensions without tolerance DIN ISO 2768-mk
			We reserve all rights to this document to any patent registrations related hereto, and to the duplication, retransmission by third parties and misc. use. Any use of this document is not permitted without the written consent of ---.	
			CAD created document, handwritten changes not permitted.	
			PISTON ROD	Material No.: ---

JD10-75



PISTON ROD

Material No.: ---