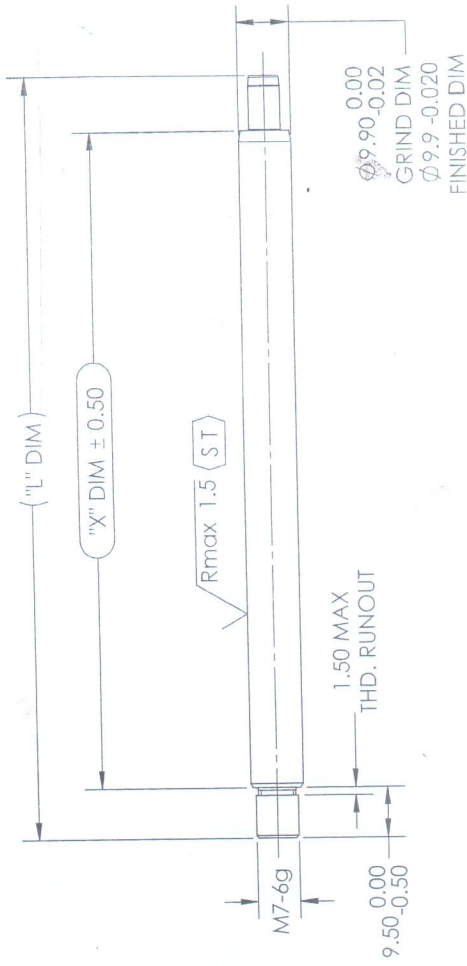
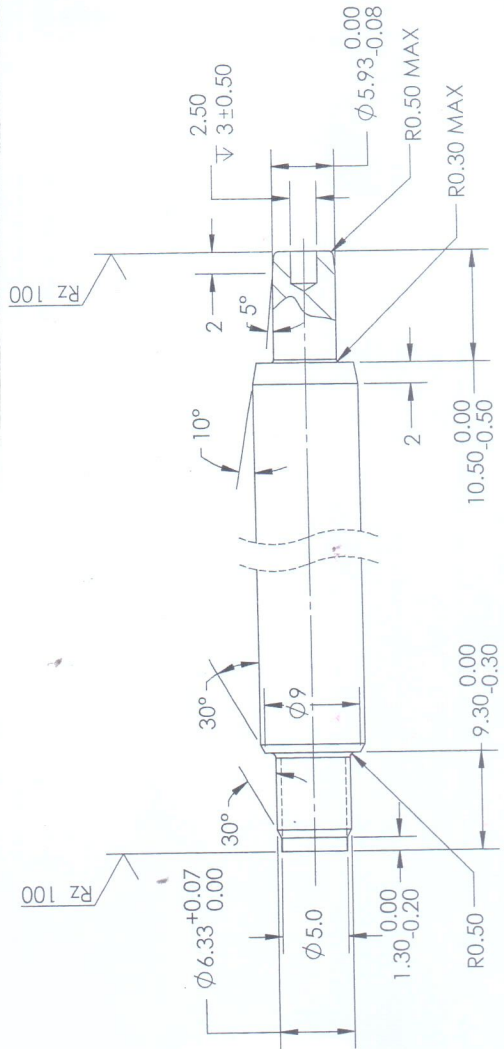


THE INFORMATION CONTAINED IN THIS DRAWING IS THE SOLE PROPERTY OF SUSPA INCORPORATED. ANY REPRODUCTION IN PART OR AS A WHOLE WITHOUT THE WRITTEN PERMISSION OF SUSPA INCORPORATED IS PROHIBITED.



**NOTES:**

1. MUST BE CLEAN, FREE OF DEBRIS AND FREE OF BURRS.
2. NO IMPERFECTIONS ALLOWED IN AXIAL OR RADIAL DIRECTIONS.
3. (ST) = CRITICAL CHARACTERISTIC.
4. SALT BATH NITROCARBURIZED. CORROSION RESISTANCE TO BE 144HRS MIN W/O RED RUST ACCORDING TO ASTM B117 IN "X" DIM AREA ONLY

**CONTROLLED  
MUST BE BLUE INK**

**DO NOT MANUFACTURE TO THIS DRAWING UNLESS IT IS MARKED "CONTROLLED"**

DO NOT SCALE THIS DRAWING  
DIMENSIONS ARE IN MILLIMETERS  
TOLERANCES UNLESS OTHERWISE SPECIFIED  
ONE PLACE DECIMAL +/-0.2  
ANGULAR +/-2°  
TWO PLACE DECIMAL +/-0.1

DRAWN BY: RTA DATE: 6/07/2018 SCALE: 1:1

SHEET: 1 OF 2

REV. ECH	REVISIONS	APPROVED BY	DATE (MM/DD/YY)
1	RELEASED	RTA	6/8/18
DESCRIPTION: 10.0mm PISTON ROD, M7			
MATERIAL: C45 (DIN EN 10250-2)			
DRAWING NUMBER: G51-0007			
DRAWING SIZE: B			
 3970 Roger B. Chaffee S.E. Grand Rapids, Michigan 49548-3497 www.suspa-inc.com K05954ED			

PART NUMBER	L-DIMENSION	X-DIMENSION	STROKE	SURFACE
P51-00700	168.50	148.50	125	QPQP
P51-00701	243.50	223.50	200	QPQP
P51-00702	368.50	348.50	325	QPQP
P51-00703	453.50	433.50	410	QPQP
P51-00704	93.50	73.50	50	QPQP
P51-00705	108.50	88.50	65	QPQP
P51-00706	113.50	93.50	70	QPQP
P51-00707	118.50	98.50	75	QPQP
P51-00708	123.50	103.50	80	QPQP
P51-00709	128.50	108.50	85	QPQP
P51-00710	143.50	123.50	100	QPQP
P51-00711	153.50	133.50	110	QPQP
P51-00712	183.50	163.50	140	QPQP
P51-00713	193.50	173.50	150	QPQP
P51-00714	218.50	198.50	175	QPQP
P51-00715	258.50	238.50	215	QPQP
P51-00716	273.50	253.50	230	QPQP
P51-00717	293.50	273.50	250	QPQP
P51-00718	303.50	283.50	260	QPQP
P51-00719	318.50	298.50	275	QPQP
P51-00720	343.50	323.50	300	QPQP
P51-00721	393.50	373.50	350	QPQP
P51-00722	408.50	388.50	365	QPQP
P51-00723	420.50	400.50	377	QPQP
P51-00724	428.50	408.50	385	QPQP
P51-00725	493.50	473.50	450	QPQP
P51-00726	543.50	523.50	500	QPQP

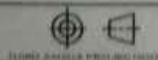
DRAWING NUMBER

G51-0007

DRAWN BY  
RTA

DATE  
6/07/2018

SCALE  
NONE



3970 Roger B. Chaffee S.E.  
Grand Rapids, Michigan 49548-3497  
www.suspa-inc.com

DRAWN BY

A