

The print-out is not subject to the modification service.

Intended for internal and supplier use

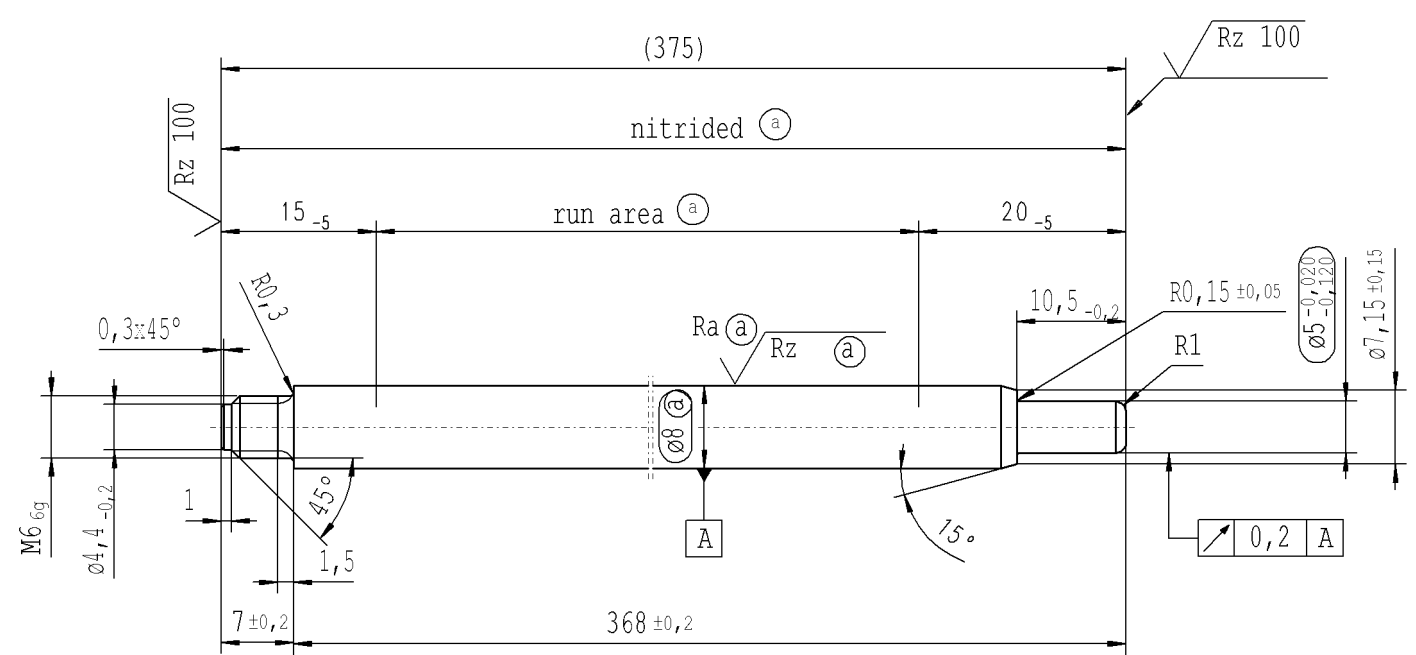
EN

B

A

Ident. Doc.: I54

ⓐ piston rod processing per STAB-Spec. 10028959, table 1



$\sqrt{Rz\ 25}$ ($\sqrt{Rz\ 100}$ $Ra\ \text{ⓐ}$ $Rz\ \text{ⓐ}$) $\sqrt{\pm 0,2}$ $\sqrt{\pm 0,2}$

thread tolerances acc. to DIN ISO 965-3

AIAG CQI-standards acc. to STAB-Spec. 10027692

Environmental protection acc. to STAB-Spec. 10005649

DE: X	EN: X	ES:	IT:	PR:	FR:	RO:	CRD created document; handwritten changes not permitted
new	INITIAL RELEASE						
old	-						
Field	-						
Date/Name	06.12.2018 Höfer						
Chg. No.	674102						
Rev.	0						

RELEASE
 for supplier
 company Zhang Shi
 Dat. 06.12.2018 Schilz A.
(date / signature)

Material: 1.1193
 S45C JISG 4051
 Edge tolerances acc. to DIN ISO 13715
 Surface finish DIN EN ISO 1302
 Replaces:

All dimensions are in mm
 Scale: (Original DIN A3) **2:1**
 Identification of important characteristics
 Dimensions without tolerances DIN ISO 2768-mK

We reserve all rights to this document, to any patents or patent registrations related hereto, and to the duplication, retransmission by third parties and misc. use. Any use of this document is not permitted without the written consent of STABILUS.

STABILUS

PISTON ROD

Drawn by	Date	Name
Checked	06.12.2018	Höfer
Document No.:	10151863	
Material No.:	659678	