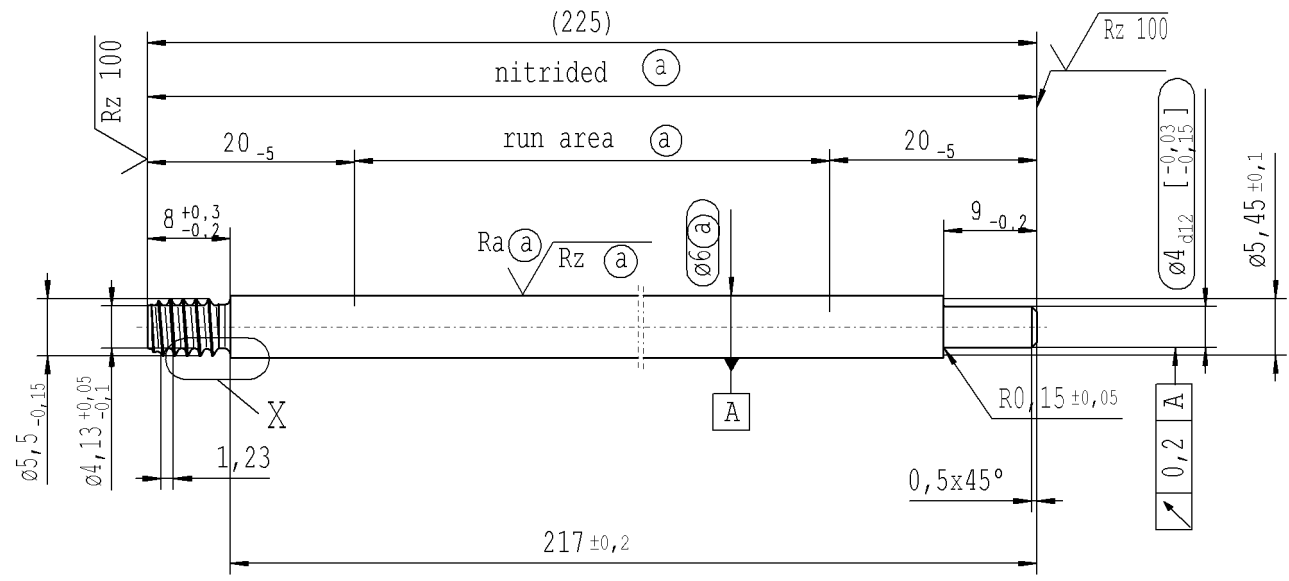


The print-out is not subject to the modification service.

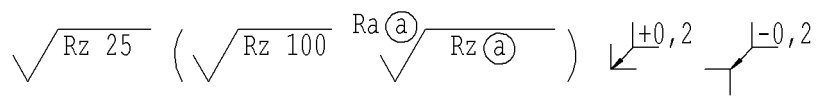
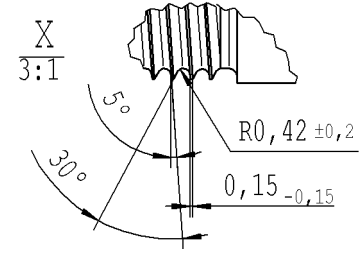
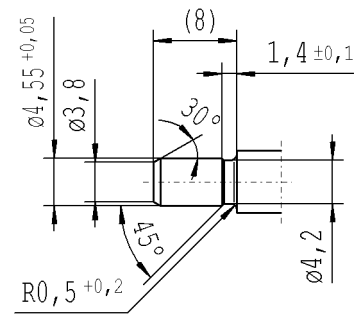
Intended for internal and supplier use

Ident. Doc.: L11

ⓐ piston rod processing per STAB-Spec. 10028959, table 1



pre-worked:



AIAG CQI-standards acc. to STAB-Spec. 10027692

Environmental protection acc. to STAB-Spec. 10005649

DE: X	EN: X	ES:	IT:	PR:	FR:	RO:	CRD created document; handwritten changes not permitted
new	INITIAL RELEASE						
old	-						
Field	-						
Date/Name	31.07.2018 Höfer						
Chg. No.	670613						
Rev.	0						

RELEASE
for supplier

company ZhangShi

Dat. 31.07.2018 Schilz A.
(date / signature)

Material: 1.1193
S45C JISG 4051

Edge tolerances acc. to DIN ISO 13715

Surface finish DIN EN ISO 1302

Replaces:

STABILUS

All dimensions are in mm

Identification of important characteristics

Scale: (Original DIN A3) 2:1

Dimensions without tolerances DIN ISO 2768-mK

We reserve all rights to this document, to any patents or patent registrations related hereto, and to the duplication, retransmission by third parties and misc. use. Any use of this document is not permitted without the written consent of STABILUS.

PISTON ROD

Drawn by	Date	Name
31.07.2018 Höfer	31.07.2018 Höfer	Höfer
Checked	31.07.2018 Höfer	Klinkner
Document No.:	10177465	
Material No.:	632670	