

The print-out is not subject to the modification service.

Intended for internal and supplier use

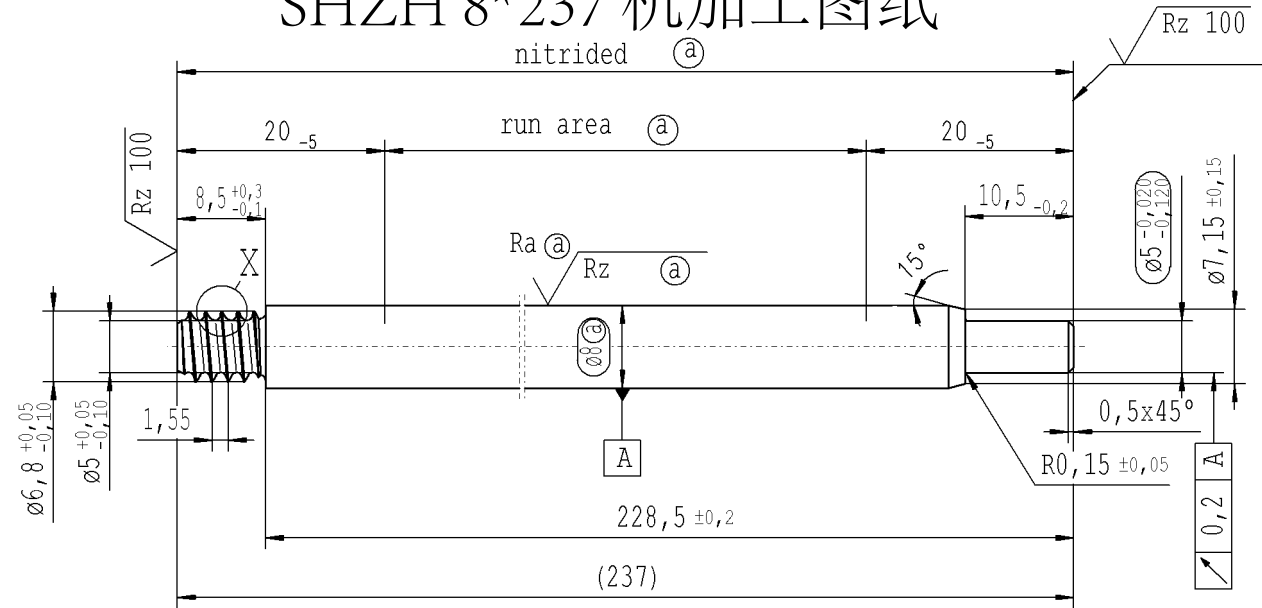
EN

B

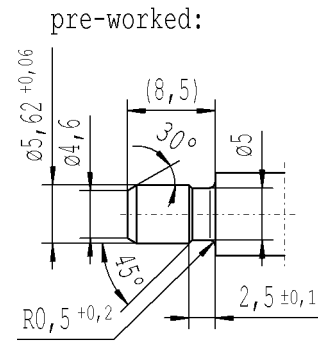
A

① piston rod processing per STAB-Spec. 10028959, table 1

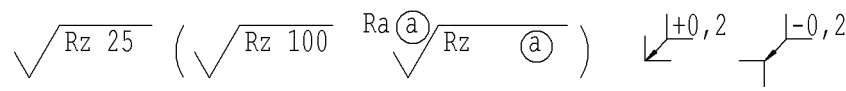
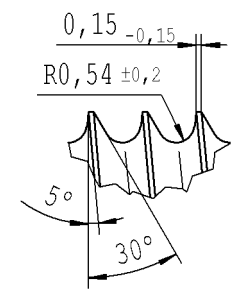
SHZH 8*237 机加工图纸



RELEASE
for supplier
company Zhang Shi



X 5:1



Environmental protection acc. to STAB-Spec. 10005649

Ident. Doc.:

DE: X	EN: X	ES:	IT:	PR:	FR:	RO:	CAD created document; handwritten changes not permitted	Material: 1.1193 S45C JISG 4051	All dimensions are in mm	Identification of important characteristics	Drawn by 28.02.2008 K.Marx	Date 28.02.2008	Name K.Marx
new	INITIAL RELEASE		run area					Edge tolerances acc. to DIN ISO 13715	Scale: (Original DIN A3) 2:1	Dimensions without tolerances DIN ISO 2768 mK	Checked 28.07.2010 Klinkner		
old	-		hardness					Surface finish DIN ISO 1302	We reserve all rights to this document, to any patents or patent registrations related hereto, and to the duplication, retransmission by third parties and misc. use. Any use of this document is not permitted without the written consent of STABILUS.				
Field	-		F/4,5					Replaces:	Document No.: 10151065				
Date/Name	28.02.2008 K.Marx		28.07.2010 Geisbüsch						Material No.: 006540				
Chg. No.	-		581802										
Rev.	0		1					STABILUS	PISTON ROD				