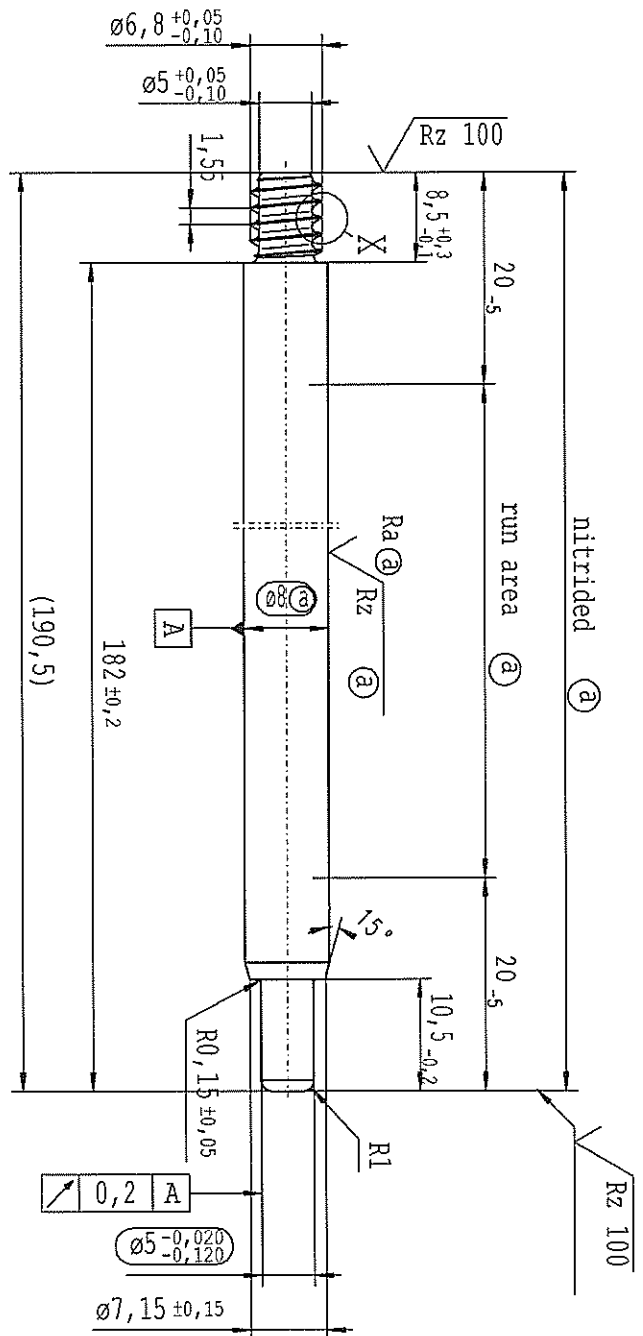
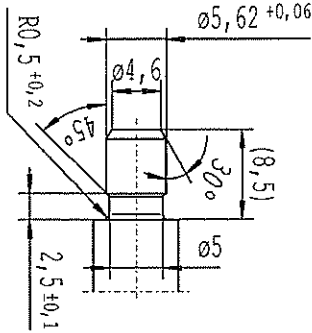


Ⓢ piston rod processing per STAB-Spec. 10028959, table 1



pre-worked:



ATAG CQI-standards acc. to STAB-Spec. 10027692 CQM created document; handwritten changes not permitted

DE: X EN: X ES: IT: PR: FR: RO: Material: 1.1193 S45C J19G 4051

new INITIAL RELEASE

old -

Field 22.02.2019 Höfer

Chg. No. 676160

Rev. 0

RELEASE For supplier

company Zhang Shi

Dat. 22.02.2019 Schütz A.

(Date / signature)

STABILUS

PISTON ROD

Material No.: 302613

Rz 25 (Rz 100) Ra ② Rz ②

+0,2 -0,2

Environmental protection acc. to STAB-Spec. 10005649

All dimensions are in mm

Scale: 2:1

Identification of important characteristics

Dimensions without tolerances

Reserve all rights to this document; no any patent or patent applications or other rights are reserved. All rights of this document are not permitted without the written consent of stabilus.

Drawn by: 22.02.2019 Höfer

Checked: 22.02.2019 Müller

Document No.: 10151065

Material No.: 302613

302613