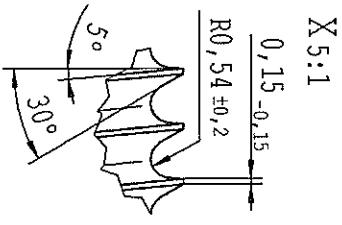
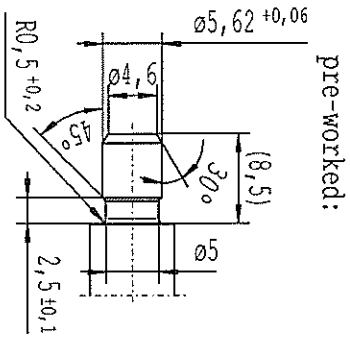
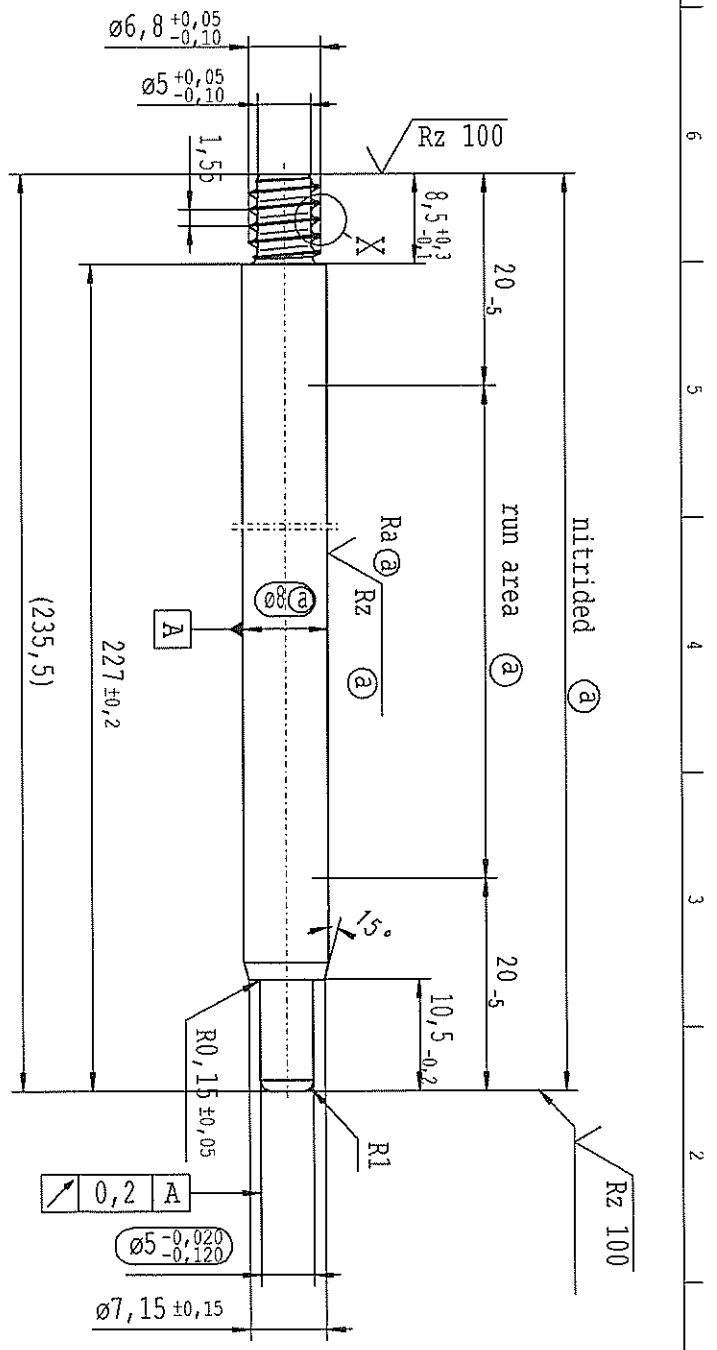


Ident. Doc.: L277

③ piston rod processing per STAB-Spec. 10028959, table 1



$\sqrt{Rz\ 25}$ ($\sqrt{Rz\ 100}$ $Ra\ ③$ $Rz\ ③$) $\sqrt{+0,2\ -0,2}$

ALMG COI-standards acc. to STAB-Spec. 10027692

Environmental protection acc. to STAB-Spec. 10005649

DE: X	EN: X	ES:	TT:	PR:	FR:	RO:	CAD created document; handwritten changes not permitted
new	INITIAL RELEASE						
old	-						
Field	22.02.2019	Höfer					
Date/Name	676160						
Clg. No.	0						
Rev.							

RELEASE
 For supplier
 company **Zhang Shi**
 Dat. 22.02.2019 Schitz A.
 (date / signature)

Material: 1.1193
 S45C JISG 4051
 Edge tolerances acc. to DIN ISO 13715
 Surface finish DIN EN ISO 1302
 Replaces:

All dimensions are in mm
 Scale: 2:1
 Dimensions without tolerances
 Identification of important characteristics
 DIN ISO 2768-mK
 We reserve all rights to this document, to any patents or patent registrations related hereto, and to the duplication, reproduction or distribution of this document in any form without the written consent of STABILUS.

STABILUS
PISTON ROD
 Material No.: 301896
 Document No.: 10151065
 Drawn by: 22.02.2019 Höfer
 Checked: 22.02.2019 HILLES