

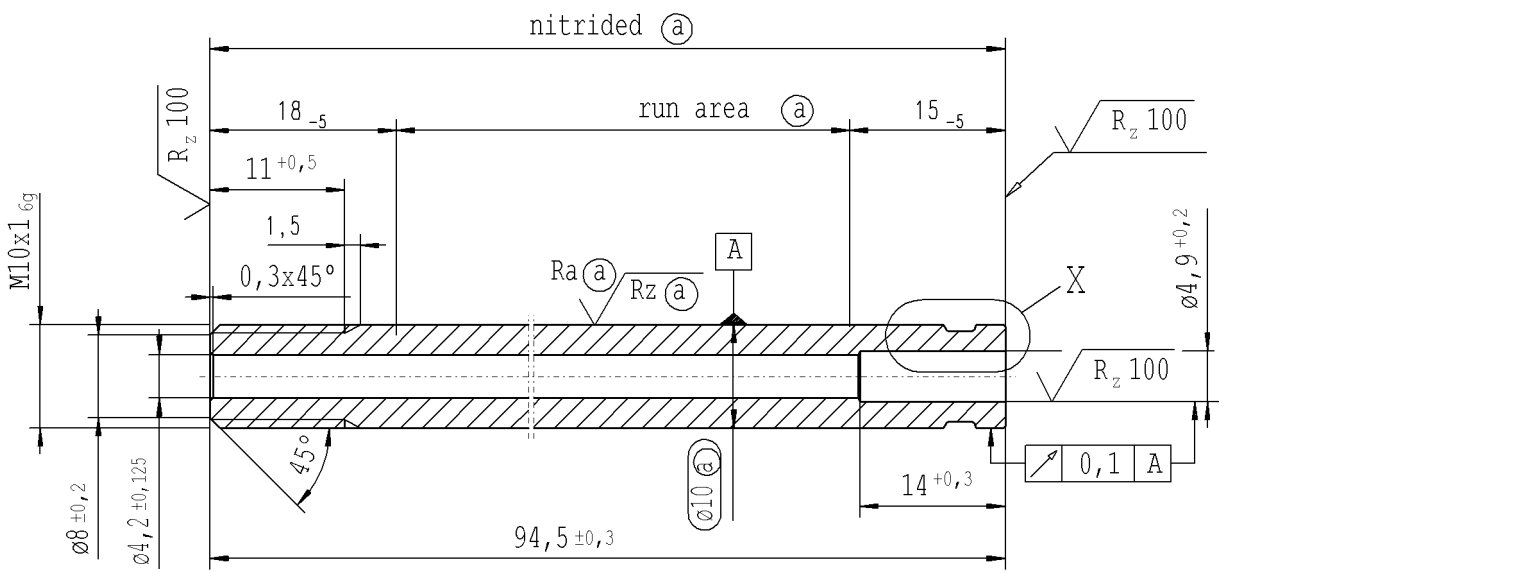
The print-out is not subject to the modification service.

Intended for internal and supplier use

Ident. Doc.: L45

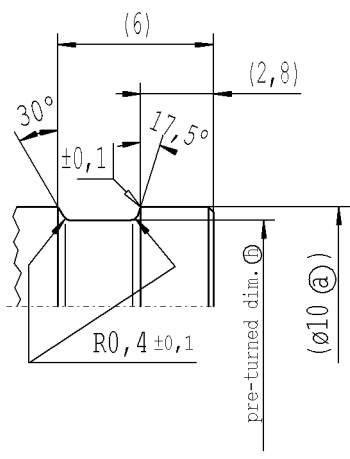
- (a) piston rod processing per STAB-Spec. 10028959 tab.I
- (h) knurl-profile manufactured with knurl roll DIN 82 - RAA 0,5

100% cleanliness of through hole

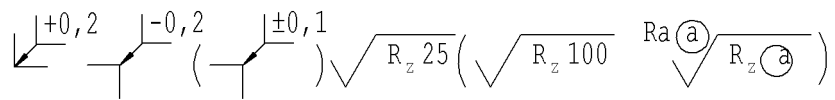
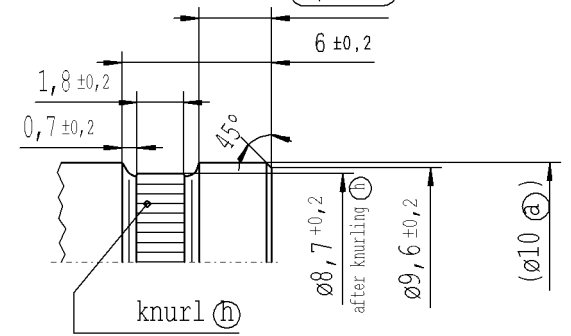


Control dimension!
100 % visual checking

X 5:1
before knurling



X 5:1
after knurling



AIAG CQI-standards acc. to STAB-Spec. 10027692

Environmental protection acc. to STAB-Spec. 10005649

DE: X	EN: X	ES:	IT:	PR:	FR:	RO:	CRD created document; handwritten changes not permitted	
new	INITIAL RELEASE							
old	-							
Field	-							
Date/Name	16.10.2018 Höfer							
Chg. No.	672465							
Rev.	0							

RELEASE
for supplier

company **Zhang Shi**

Dat. 16.10.2018 Schilz A.
(date / signature)

Material: 1.1193
S45C JISG 4051

Edge tolerances acc. to DIN ISO 13715

Surface finish DIN EN ISO 1302

Replaces:

STABILUS

All dimensions are in mm

Scale: (Original DIN A3) **2:1**

Identification of important characteristics

Dimensions without tolerances DIN ISO 2768-mK

We reserve all rights to this document, to any patents or patent registrations related hereto, and to the duplication, retransmission by third parties and misc. use. Any use of this document is not permitted without the written consent of STABILUS.

PISTON ROD

Drawn by	Date	Name
Checked	16.10.2018	Höfer
Material No.:	10152095	Milles
	832475	