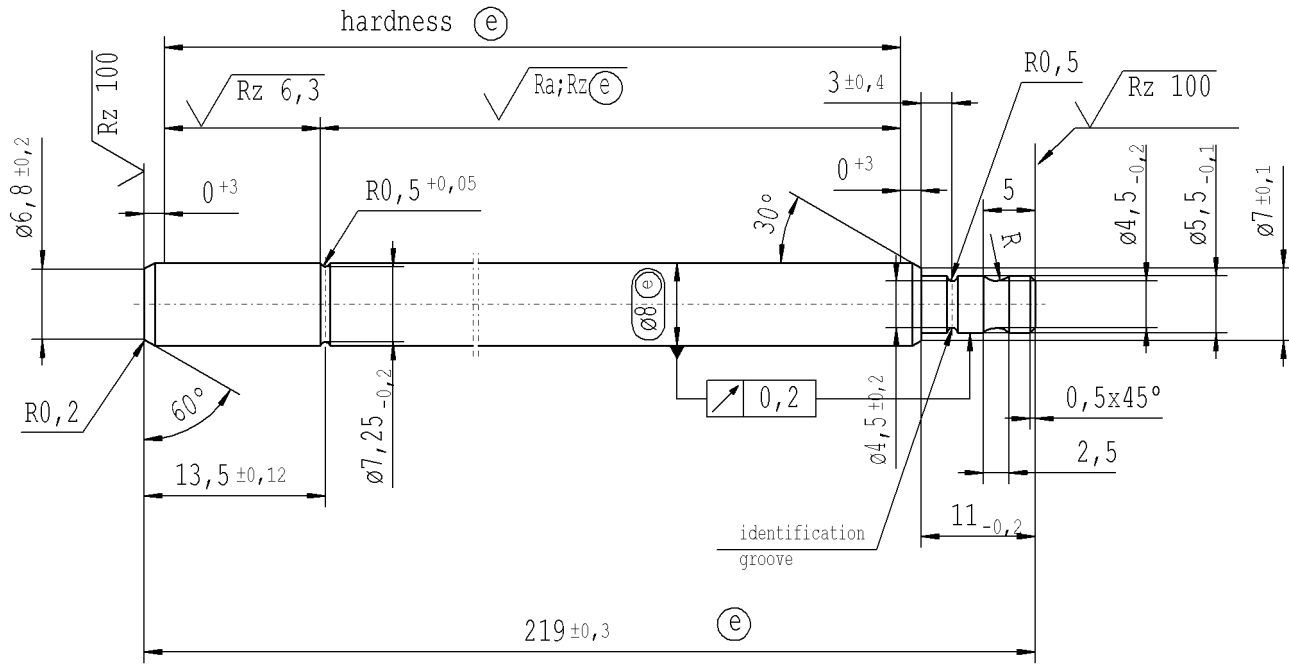


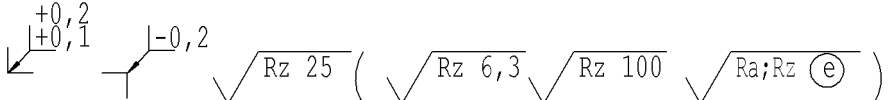
The print-out is not subject to the modification service.

Intended for internal and supplier use

EN



$\textcircled{e}$  piston rod processing acc.to STAB-Spec.10028959 Table II



Ident. Doc.: L23

AIAG CQI-standards acc. to STAB-Spec. 10027692										Environmental protection acc. to STAB-Spec. 10005649																													
DE: X	EN: X	ES:	IT:	PR:	FR:	RO:	CAD created document; handwritten changes not permitted			Material: 1.1193					All dimensions are in mm					Identification of important characteristics					Date					Name									
new		INITIAL RELEASE																																					
old		-																																					
Field		-																																					
Date/Name		14.03.2019 Höfer																																					
Chg. No.		676871																																					
Rev.		0																																					
<div style="border: 1px solid black; padding: 5px; text-align: center;"> <b>RELEASE</b> for supplier company <u>ZhangShi</u> Dat. 14.03.2019 Schilz A. (date / signature)         </div>										<div style="border: 1px solid black; padding: 5px;"> <b>STABILUS</b> </div>					<div style="border: 1px solid black; padding: 5px;">           We reserve all rights to this document, to any patents or patent registrations related hereto, and to the duplication, retransmission by third parties and misc. use. Any use of this document is not permitted without the written consent of STABILUS.         </div>										Document No.: <b>10208225</b>					Material No.: <b>450076</b>									
																									Scale: (Original DIN A3) <b>2:1</b>					Dimensions without tolerances DIN ISO 2768 mK					Drawn by: 14.03.2019 Höfer				