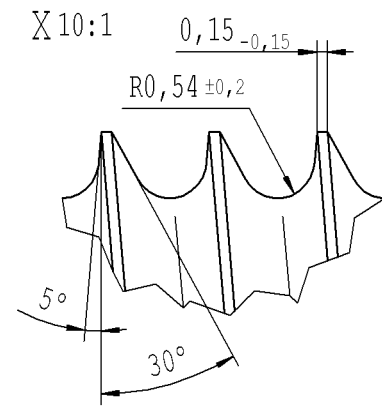
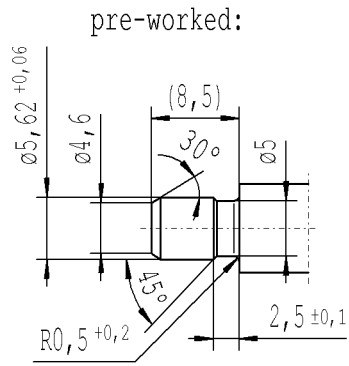
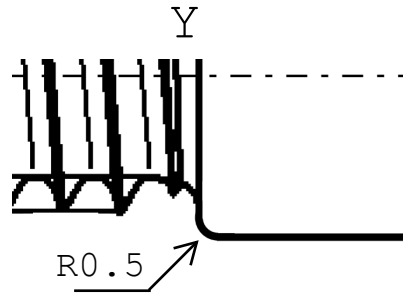
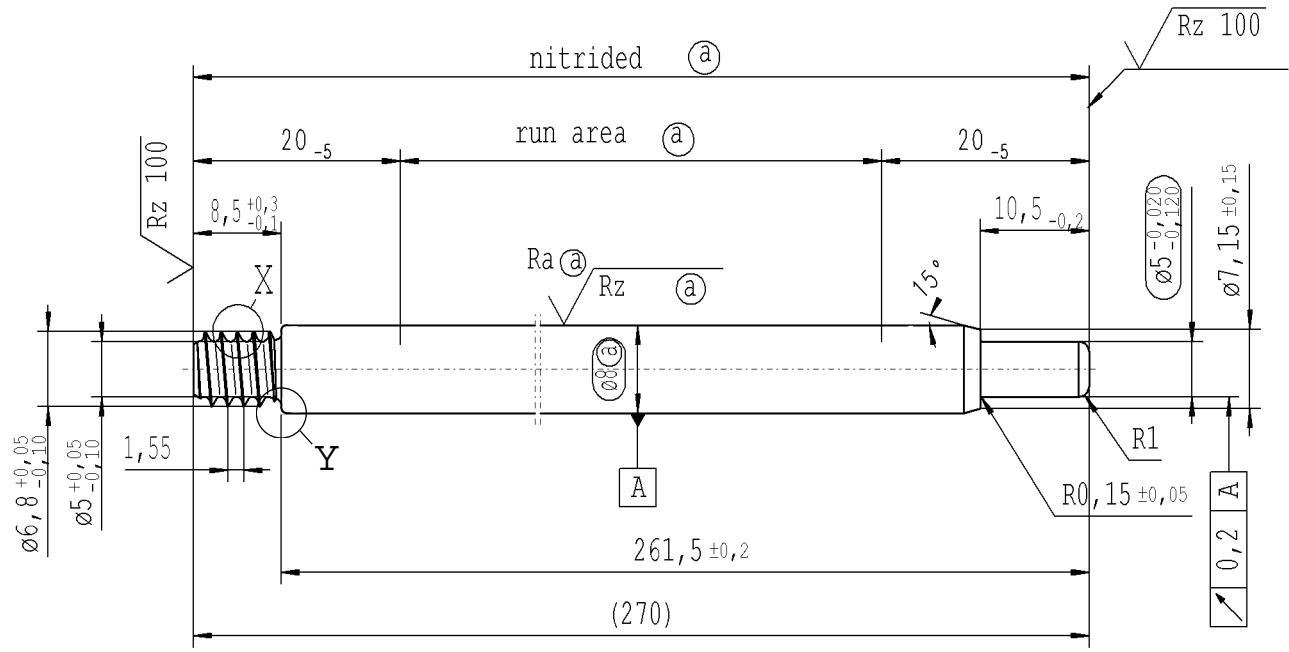


The print-out is not subject to the modification service.

Intended for internal and supplier use

Ident. Doc.: I102

Ⓐ piston rod processing per STAB-Spec. 10028959, table 1



$\sqrt{Rz\ 25}$ ($\sqrt{Rz\ 100}$ $Ra\ \text{Ⓐ}$ $Rz\ \text{Ⓐ}$) $\begin{matrix} \swarrow +0,2 \\ \searrow -0,2 \end{matrix}$

AIAG CQI-standards acc. to STAB-Spec. 10027692

Environmental protection acc. to STAB-Spec. 10005649

| | | | | | | | |
|-----------|--|-----|-----|-----|-----|-----|--|
| DE: X | EN: X | ES: | IT: | PR: | FR: | RO: | CAD created document; handwritten changes not permitted |
| new | position of angle 5° corrected / no technical change, no new first sample required | | | | | | RELEASE for supplier company _____ Dat. 26.03.2019 Schilz A. (date / signature) |
| old | wrong position of angle 5° | | | | | | |
| Field | B-D/2-3 | | | | | | |
| Date/Name | 26.03.2019 Hein | | | | | | |
| Chg. No. | 677154 | | | | | | |
| Rev. | 1 | | | | | | |

| |
|---|
| Material: 1.1193 S45C JISG 4051 annealing |
| Edge tolerances acc. to DIN ISO 13715 |
| Surface finish DIN EN ISO 1302 |
| Replaces: |
| STABILUS |

| | |
|--|---|
| All dimensions are in mm | Identification of important characteristics |
| Scale: (Original DIN A3) 2:1 | Dimensions without tolerances DIN ISO 2768-mK |
| We reserve all rights to this document, to any patents or patent registrations related hereto, and to the duplication, retransmission by third parties and misc. use. Any use of this document is not permitted without the written consent of STABILUS. | |
| PISTON ROD | |

| | | |
|-----------------|------|------|
| Drawn by | Date | Name |
| Checked | Date | Name |
| Document No.: | | |
| 10242718 | | |
| Material No.: | | |
| 666837 | | |