

The print-out is not subject to the modification service.

Intended for internal and supplier use

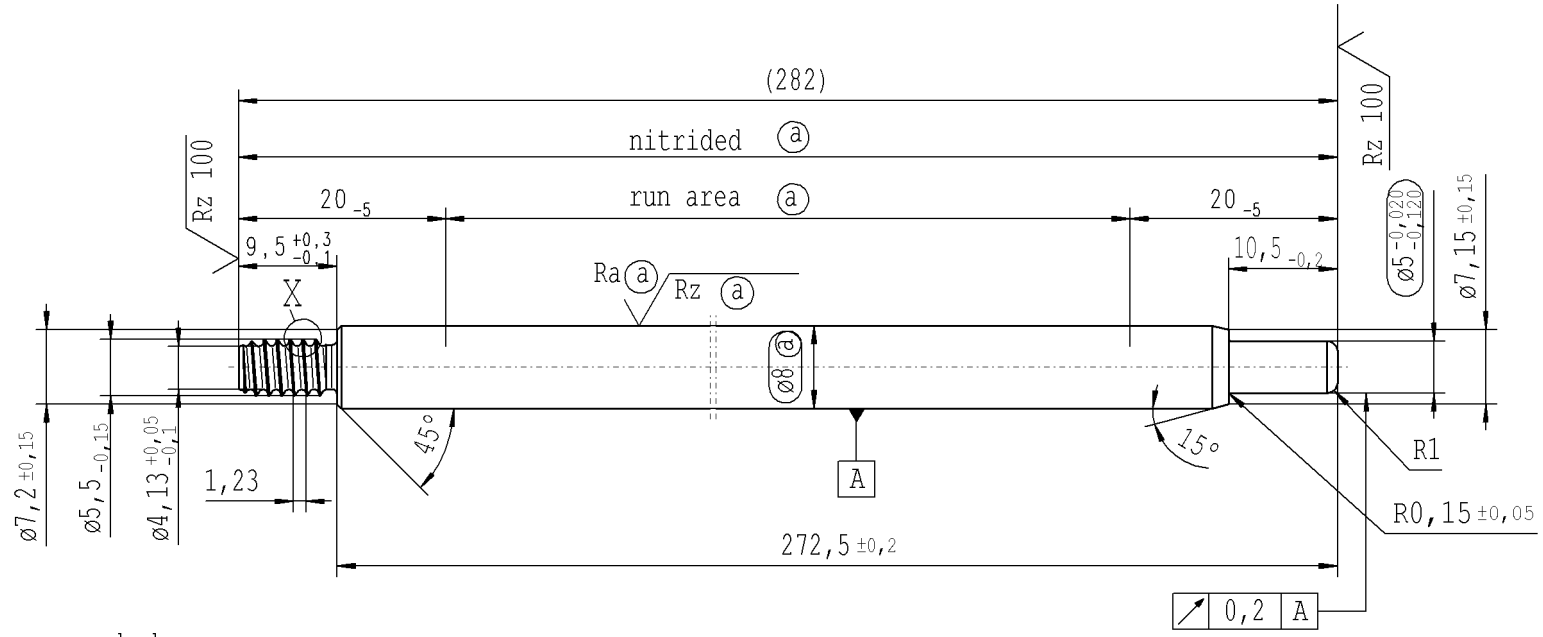
EN

B

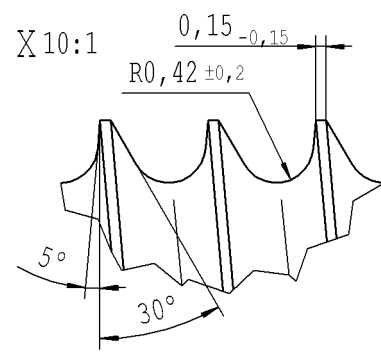
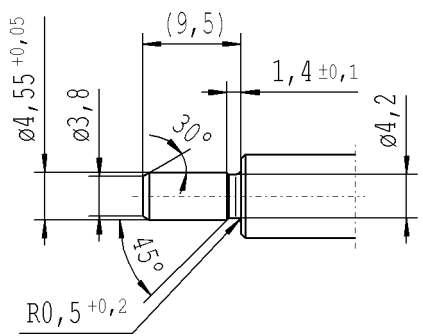
A

Ident. Doc.: L125

ⓐ piston rod processing per STAB-Spec. 10028959, table 1



pre-worked:



$\sqrt{Rz\ 25}$  (  $\sqrt{Rz\ 100}$   $Ra\ \textcircled{a}$   $Rz\ \textcircled{a}$  )  $\swarrow +0,2$   $\searrow -0,2$

AIAG CQI-standards acc. to STAB-Spec. 10027692

Environmental protection acc. to STAB-Spec. 10005649

DE: X	EN: X	ES:	IT:	PR:	FR:	RO:	CRD created document; handwritten changes not permitted	
new	INITIAL RELEASE							
old	-							
Field	-							
Date/Name	14.05.2019 Höfer							
Chg. No.	678673							
Rev.	0							

**RELEASE**  
 for supplier  
 company Zhang Shi  
 Dat. 14.05.2019 Schilz A.  
(date / signature)

Material: 1.1193  
 S45C JISG 4051  
 Edge tolerances acc. to DIN ISO 13715  
 Surface finish DIN EN ISO 1302  
 Replaces:

All dimensions are in mm  
 Scale: (Original DIN A3) **2:1**  
 We reserve all rights to this document, to any patents or patent registrations related hereto, and to the duplication, retransmission by third parties and misc. use. Any use of this document is not permitted without the written consent of STABILUS.

Identification of important characteristics  
 Dimensions without tolerances DIN ISO 2768-mK  
 Document No.: **10151066**  
 Material No.: **428089**

Drawn by	Date	Name
Checked	14.05.2019	Höfer
	14.05.2019	Milles

**STABILUS**

**PISTON ROD**