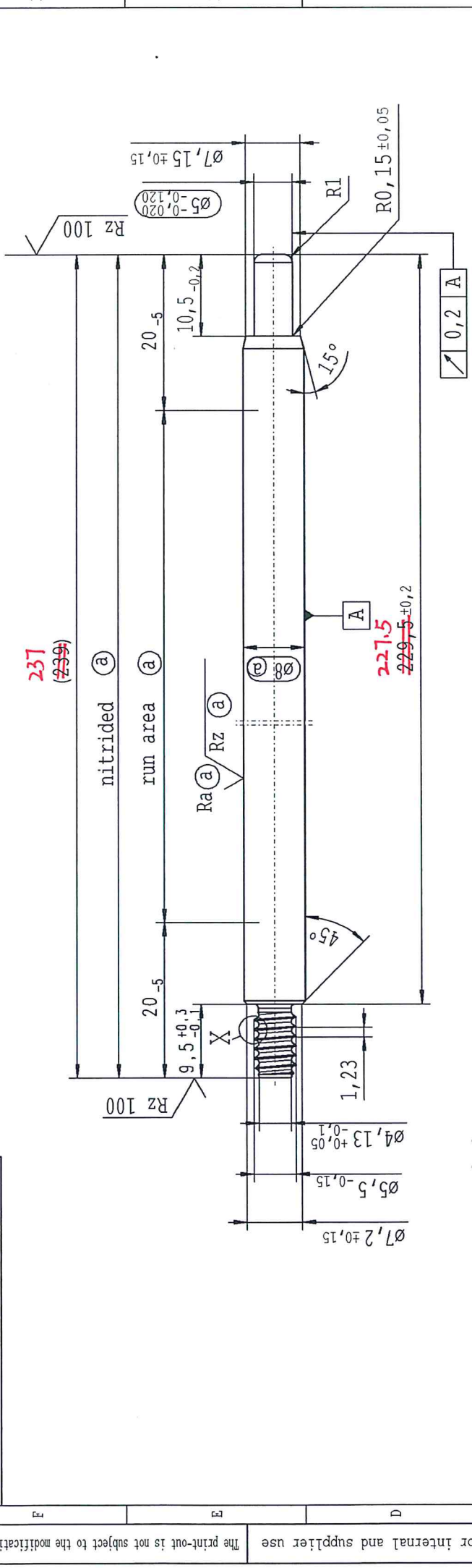
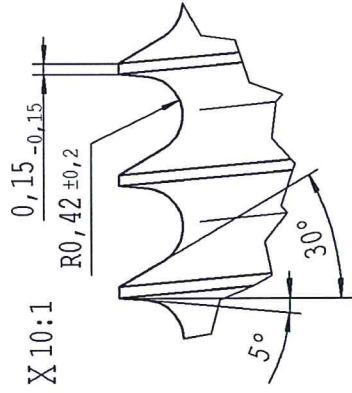
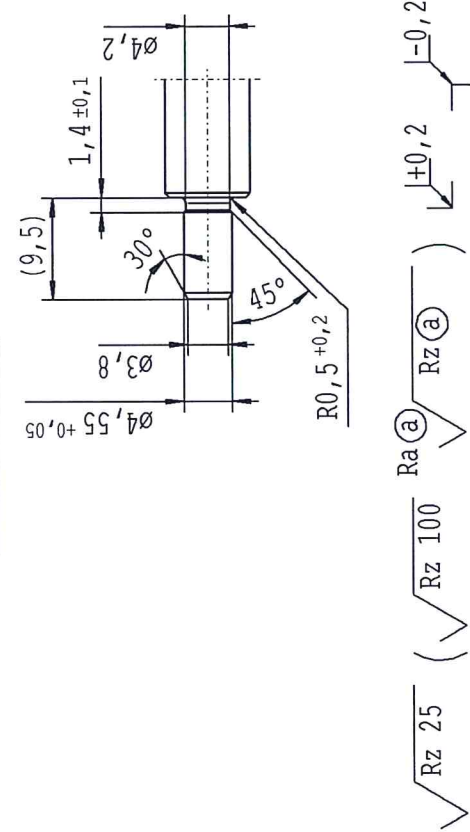


③ piston rod processing per STAB-Spec. 10028959, table 1



pre-worked:



DE; X	EN	X	ES	IT	PR	FR	RO	ALAG CQI-standards acc. to STAB-Spec. 10027692	Material: 1.1193	All dimensions are in mm	Identification of important characteristics	Date	Name
new	INITIAL RELEASE				detail X reworked / no technical change, no new first sample required			S45C JISG 4051	Scale: (Original DIN A3) 2:1	Dimensions without tolerances	29.03.2017	Jablonski	
old								Edge tolerances acc. to DIN ISO 13715	Scale: ORIGINAL ALL DIMENSIONS TO THIS DOCUMENT TO ANY PARTS OF PATENT REGISTRATIONS RELATED HERETO, AND TO THE DUPLICATION, REPRODUCTION BY THIRD PARTIES AND MISC. USE. ANY USE OF THIS DOCUMENT IS NOT PERMITTED WITHOUT THE WRITTEN CONSENT OF STABILUS.		06.05.2019	Klimmer	
Field								Surface finish DIN EN ISO 1302					
Date/Name								Replaces:					Document No.: 10151066
Chg. No.													Material No.: 10151066
Rev.													Material No.: 368330
Druckdatum:	9/16/2019	7:10:19 AM	*****	Ausdruck nicht massgetreu	*****								PLANT: WUJI PRINTER : COJU DOK-NR.: 10151066