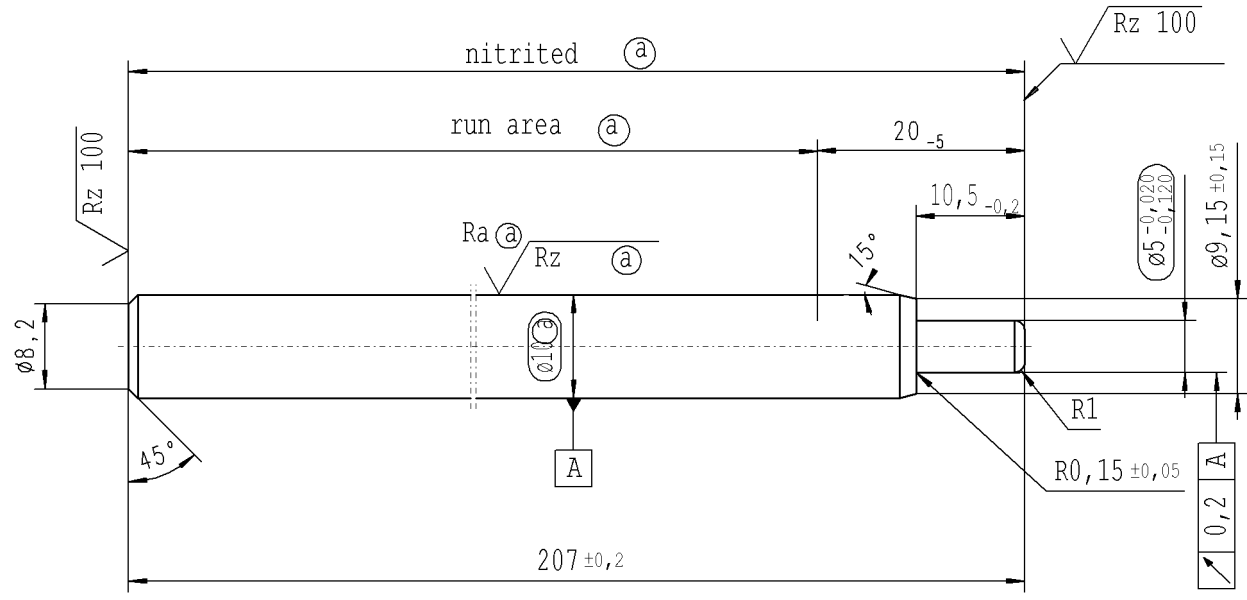


The print-out is not subject to the modification service.

Intended for internal and supplier use

Ident. Doc.: I20

ⓐ piston rod processing per STAB-Spec. 10028959, table 1



$\sqrt{Rz 25}$  ( $\sqrt{Rz 100}$   $Ra$  ⓐ  $Rz$  ⓐ)  $\swarrow +0,2$   $\searrow -0,2$

AIAG CQI-standards acc. to STAB-Spec. 10027692

Environmental protection acc. to STAB-Spec. 10005649

DE: X	EN: X	ES:	IT:	PR:	FR:	RO:	CAD created document; handwritten changes not permitted	
new	INITIAL RELEASE							
old	-							
Field	-							
Date/Name	23.10.2019 Höfer							
Chg. No.	683243							
Rev.	0							

**RELEASE**  
for supplier  
company Zhang Shi  
Dat. 23.10.2019 Schilz A.  
(date / signature)

Material: 1.1193  
S45C JISG 4051  
Edge tolerances acc. to DIN ISO 13715  
Surface finish DIN EN ISO 1302  
Replaces:  
**STABILUS**

All dimensions are in mm  
Scale: (Original DIN A3) **2:1**  
We reserve all rights to this document, to any patents or patent registrations related hereto, and to the duplication, retransmission by third parties and misc. use. Any use of this document is not permitted without the written consent of STABILUS.

**PISTON ROD**

Identification of important characteristics	Drawn by	Date	Name
Dimensions without tolerances DIN ISO 2768 mK	23.10.2019	23.10.2019	Höfer
Checked	Milles		
Document No.:	10151837		
Material No.:	092774		