

The print-out is not subject to the modification service.

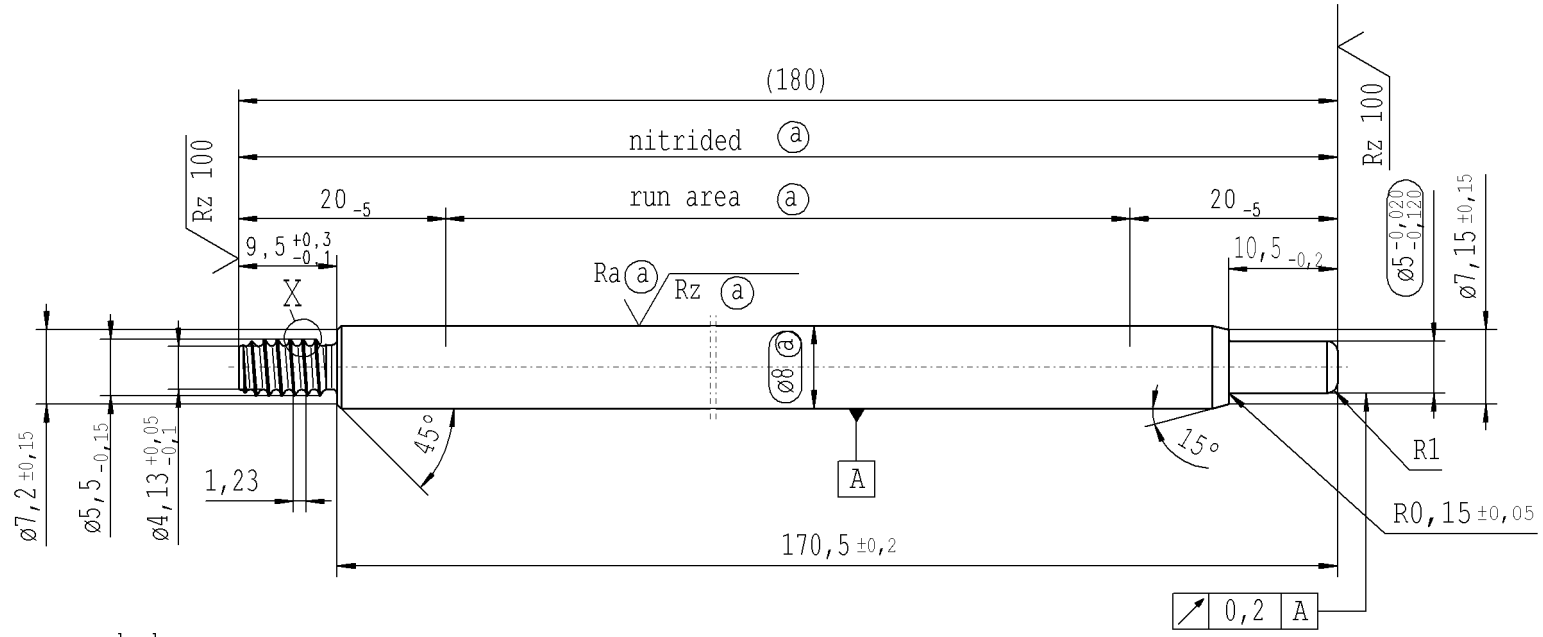
Intended for internal and supplier use

EN

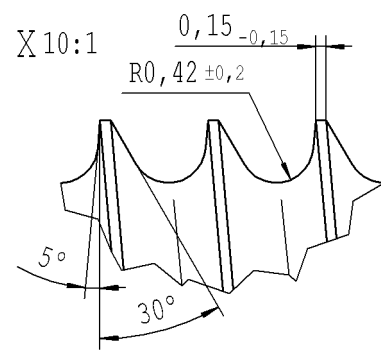
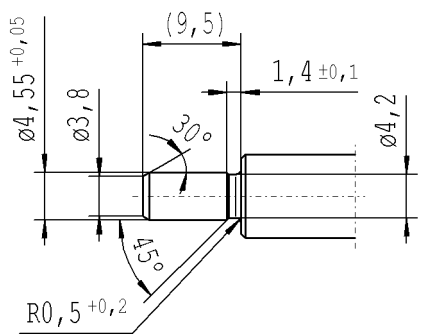
B

Ident. Doc.: L127

ⓐ piston rod processing per STAB-Spec. 10028959, table 1



pre-worked:



$\sqrt{Rz\ 25}$ ($\sqrt{Rz\ 100}$ $Ra\ \textcircled{a}$ $Rz\ \textcircled{a}$) $\swarrow +0,2$ $\searrow -0,2$

AIAG CQI-standards acc. to STAB-Spec. 10027692

Environmental protection acc. to STAB-Spec. 10005649

DE: X	EN: X	ES:	IT:	PR:	FR:	RO:	CRD created document; handwritten changes not permitted	
new	INITIAL RELEASE							
old	-							
Field	-							
Date/Name	30.10.2019 Höfer							
Chg. No.	683402							
Rev.	0							

RELEASE
 for supplier
 company Zhang Shi
 Dat. 30.10.2019 Schilz A.
(date / signature)

Material: 1.1193
 S45C JISG 4051
 Edge tolerances acc. to DIN ISO 13715
 Surface finish DIN EN ISO 1302
 Replaces:

All dimensions are in mm
 Scale: (Original DIN A3) **2:1**
 Identification of important characteristics
 Dimensions without tolerances DIN ISO 2768-mK

We reserve all rights to this document, to any patents or patent registrations related hereto, and to the duplication, retransmission by third parties and misc. use. Any use of this document is not permitted without the written consent of STABILUS.

STABILUS

PISTON ROD

Drawn by	Date	Name
Checked	30.10.2019	Höfer
	30.10.2019	Milles
Document No.:	10151066	
Material No.:	125995	